



vmzinc



DETAILS

CONTENTS

● 1. VENTILATED STANDING SEAM ROOFING

1.1 Ridge

1.2 Eaves

1.3 Edge

1.4 Hip

1.5 Valley

1.6 Junctions

1.7 Roof penetrations

● 2. VENTILATED STANDING SEAM CLADDING

2.1 Vertical layout

2.1.1 Head and bottom

2.1.2 Window surrounding

2.1.3 Junctions

2.2 Horizontal layout

2.2.1 Head and bottom

2.2.2 Window surrounding

2.2.3 Junctions

● 3. VENTILATED INTERLOCKING PANEL CLADDING

3.1 Vertical layout

3.1.1 Head and bottom

3.1.2 Window surrounding

3.1.3 Exterior corner

3.1.4 Interior corner

3.2 Horizontal layout

3.2.1 Head and bottom

3.2.2 Window surrounding

3.2.3 Vertical junction

3.2.4 Exterior corner

3.2.5 Interior corner

● 4. VENTILATED SINUS PROFILE CLADDING

4.1 Head and bottom

4.2 Window surrounding

4.3 Vertical junction

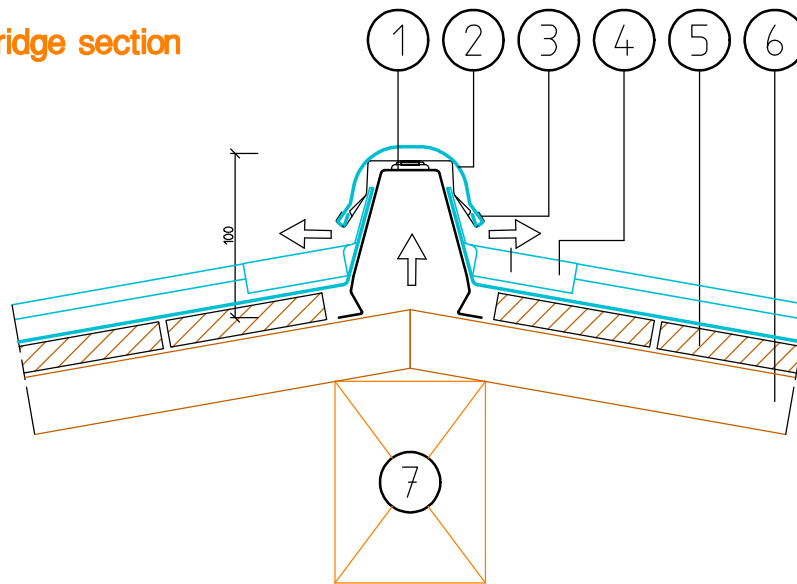
4.4 Fixing

4.5 Exterior corner

4.6 Interior corner



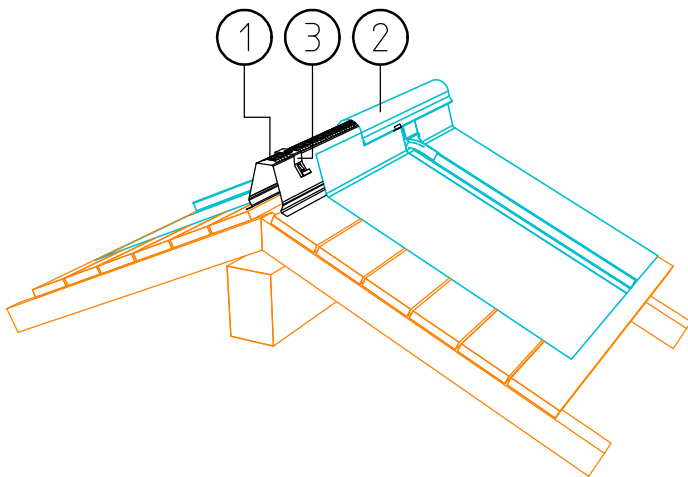
VM 941 ventilated ridge section



LEGEND :

1. Galvanized steel profile w/ventilation ears
2. Curved ridge strip
3. Stainless steel clips
4. VM ZINC head slider
5. Roof boarding
6. Rafter
7. Ridge purlin

VM 941 ventilated ridge 3D view



VM 941 ventilated ridge pictures



VMZINC

Unicore France s.a.s
40 rue Jean Jaurès
F-93176 BAGNOLET Cedex

Tel : (33) 1 49 72 42 42
Fax : (33) 1 49 72 42 74

Subject : VMZ STANDING SEAM VENTILATED ROOFING

Title : Ventilated VM 941 ridge

Scale : 1/5

Rev. : 0

Drawn by:

Date : 19.10.09

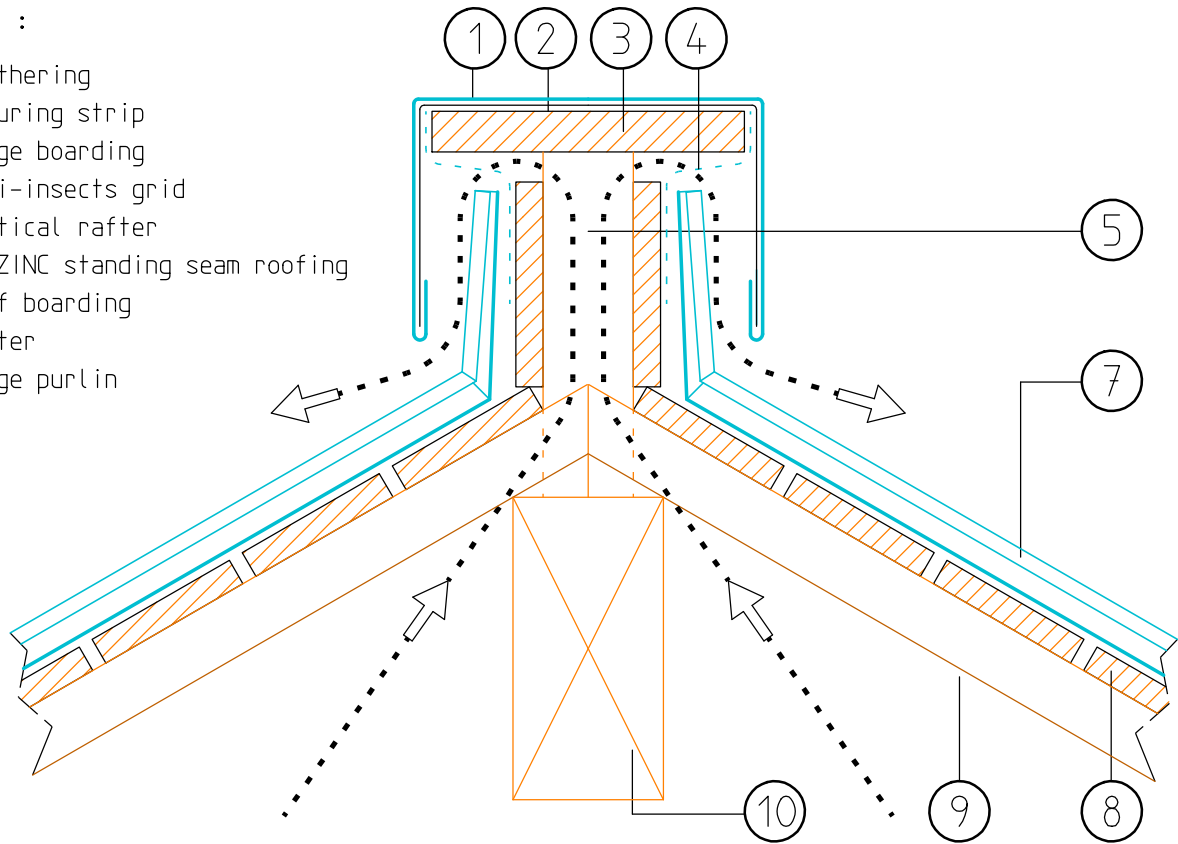
Rev. date : 19.10.09

Filename :

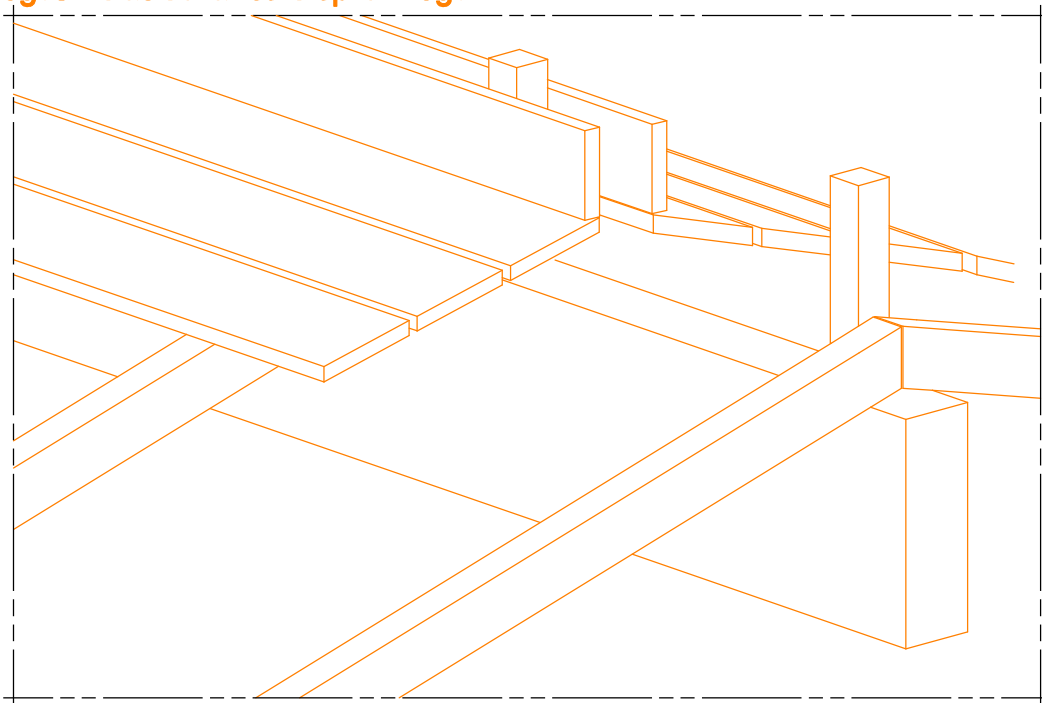
This study has been achieved as a favour for the applicant, the customer remains responsible for quantities and design

LEGEND :

1. Weathering
2. Securing strip
3. Ridge boarding
4. Anti-insects grid
5. Vertical rafter
6. VM ZINC standing seam roofing
7. Roof boarding
8. Rafter
9. Ridge purlin



Ventilated ridges : traditional built-up of ridge



Subject : VMZ STANDING SEAM VENTILATED ROOFING

Title : Traditional ventilated ridge

Scale : 1/5

Rev. : 0

Drawn by:

Date : 19.10.09

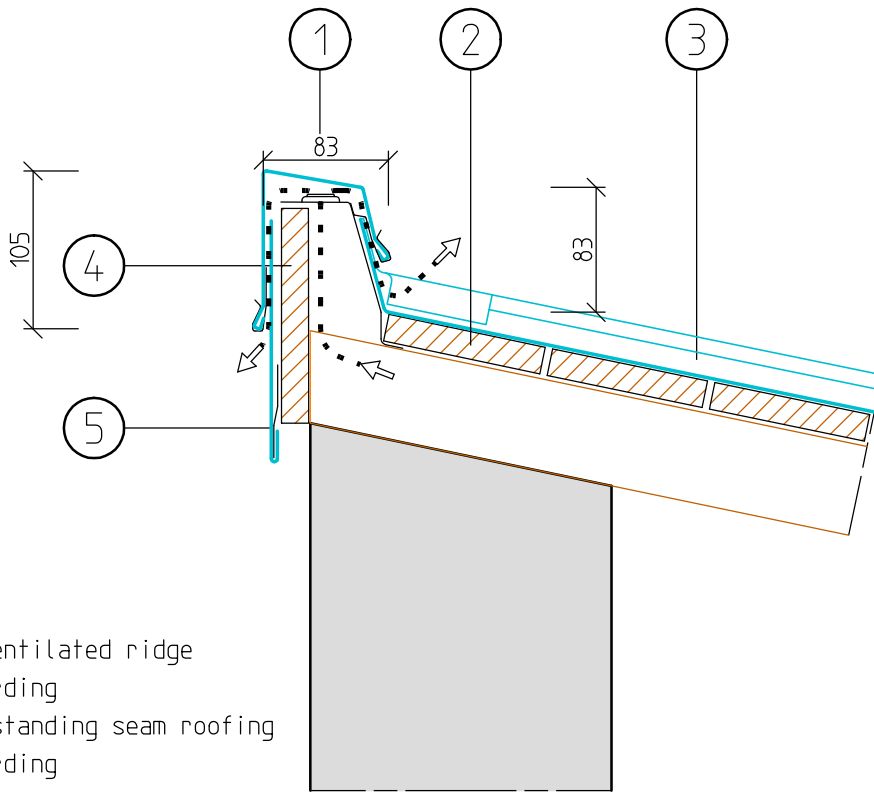
Rev. date : 19.10.09

Filename : VM_DET_TRADITIONNAL RIDGE

Unicore France s.a.s
40 rue Jean Jaurès
F-93176 BAGNOLET Cedex

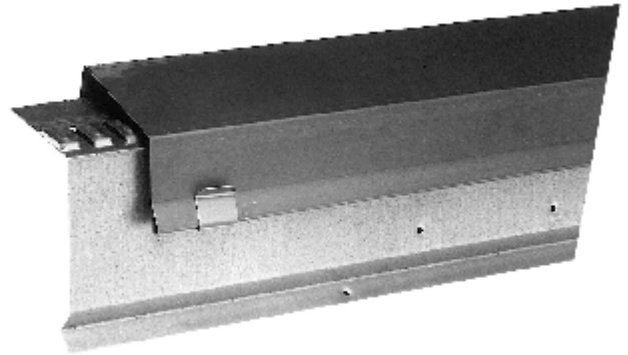
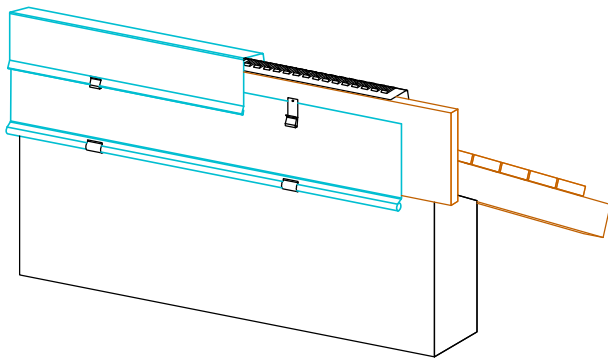
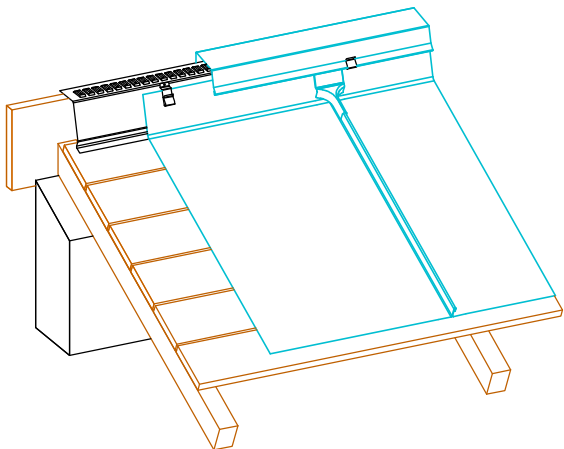
Tel : (33) 1 49 72 42 42
Fax : (33) 1 49 72 42 74

This study has been achieved as a favour for the applicant, the customer remains responsible for quantities and design



LEGEND :

1. VM 942 ventilated ridge
2. Roof boarding
3. VM ZINC standing seam roofing
4. Edge boarding
5. Edge strip



Subject : VMZ STANDING SEAM VENTILATED ROOFING

Title : Ventilated VM 942 ridge

Scale : 1/5

Rev. : 0

Drawn by:

Date : 19.10.09

Rev. date : 19.10.09

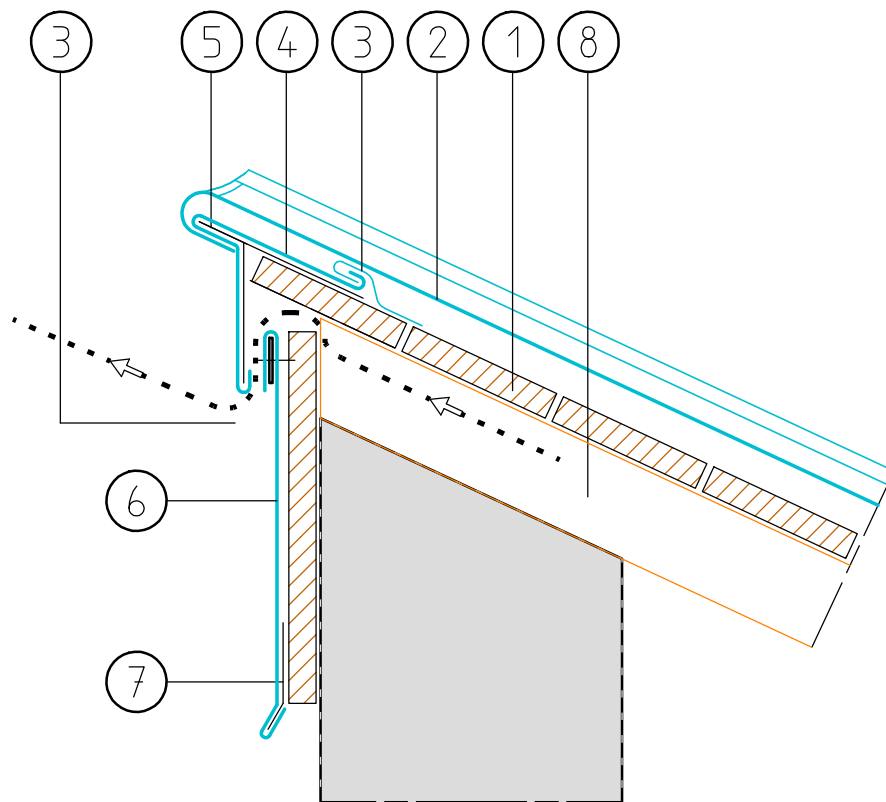
Filename :

Unicore France s.a.s
40 rue Jean Jaurès
F-93176 BAGNOLET Cedex

Tel : (33) 1 49 72 42 42
Fax : (33) 1 49 72 42 74

This study has been achieved as a favour for the applicant, the customer remains responsible for quantities and design

Section



LEGEND :

1. Roof boarding
2. VM ZINC standing seam roofing
3. Sheet clip
4. Eaves flashing
5. Galvanized stiffener
6. Edge flashing
7. Securing strip
8. Rafter

VMZINC

Unicore France s.a.s
40 rue Jean Jaurès
F-93176 BAGNOLET Cedex

Tel : (33) 1 49 72 42 42
Fax : (33) 1 49 72 42 74

Subject : VMZ STANDING SEAM VENTILATED ROOFING

Title : Ventilated single pitch ridge

Scale : 1/5

Rev. : 0

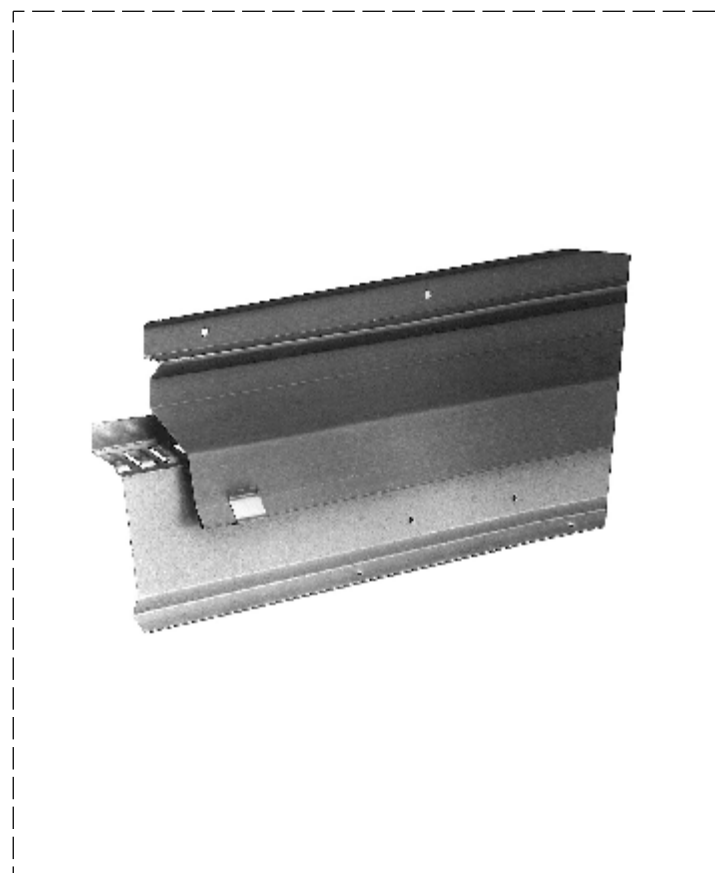
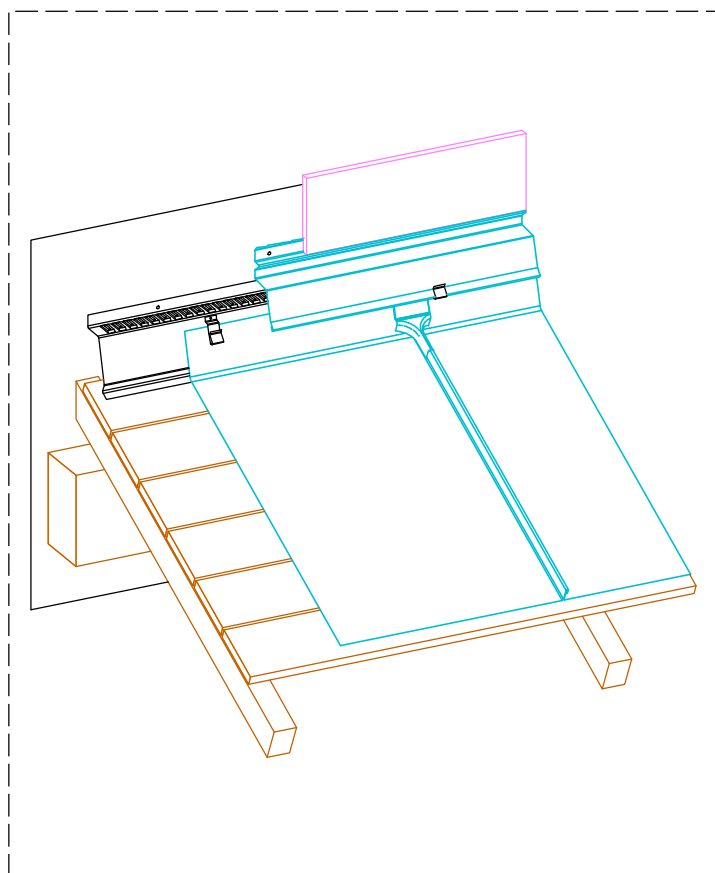
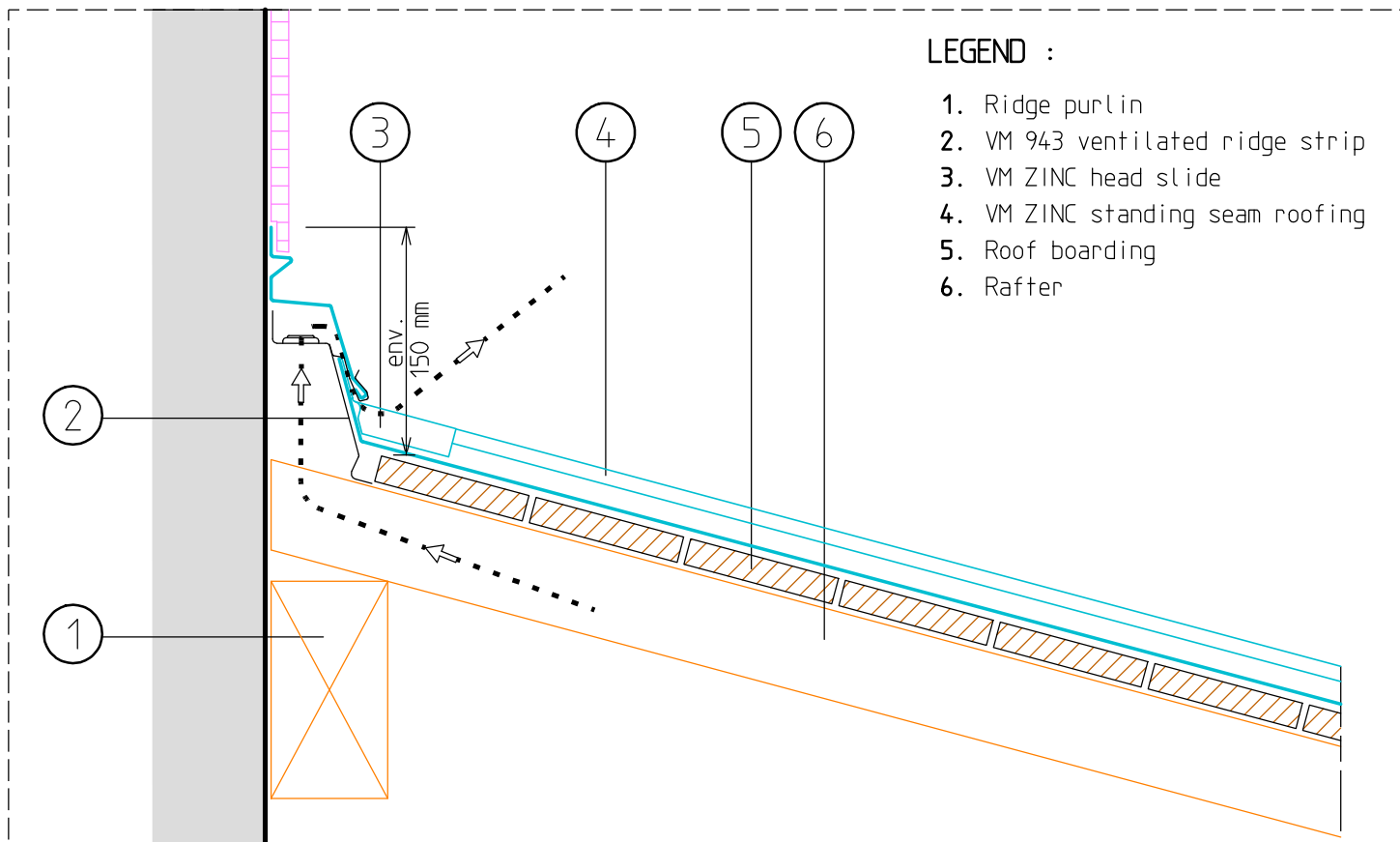
Drawn by:

Date : 19.10.09

Rev. date : 19.10.09

Filename :

This study has been achieved as a favour for the applicant, the customer remains responsible for quantities and design



Subject : VMZ STANDING SEAM VENTILATED ROOFING

Title : Ventilated VM 943 ridge

Scale : 1/5

Rev. : 0

Drawn by:

Date : 19.10.09

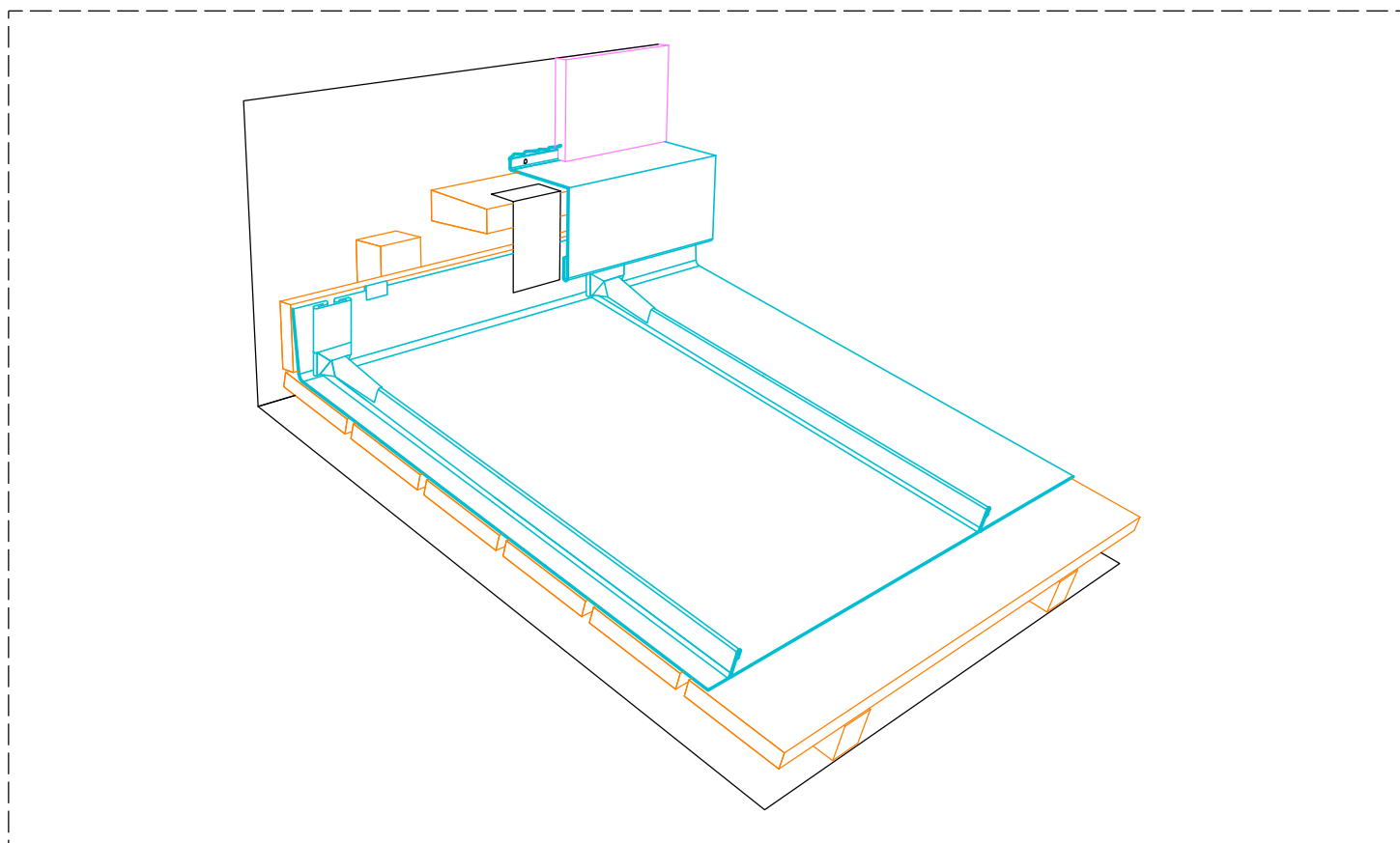
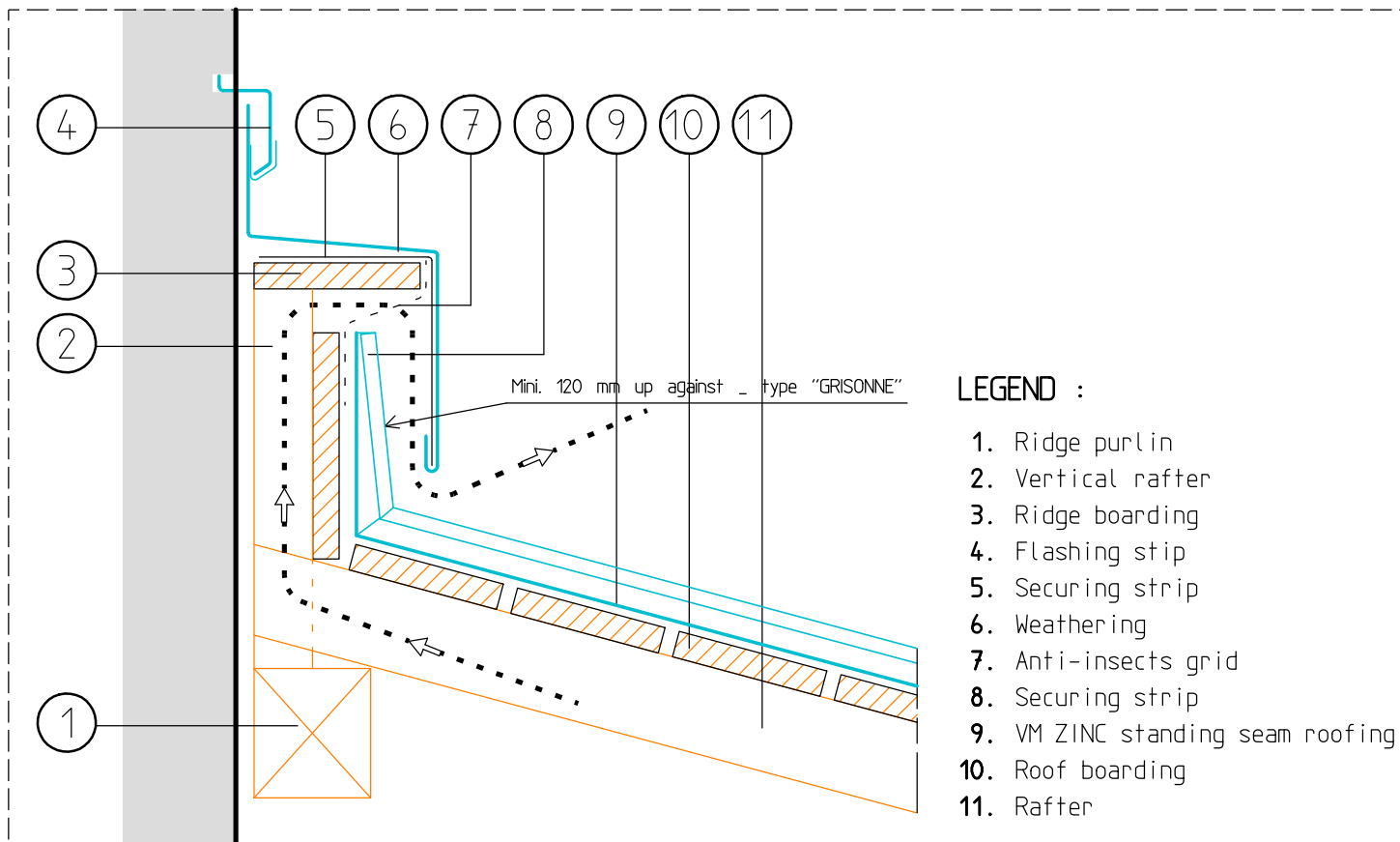
Rev. date : 19.10.09

Filename :

Unicore France s.a.s
40 rue Jean Jaurès
F-93176 BAGNOLET Cedex

Tel : (33) 1 49 72 42 42
Fax : (33) 1 49 72 42 74

This study has been achieved as a favour for the applicant, the customer remains responsible for quantities and design



Subject : VMZ STANDING SEAM VENTILATED ROOFING

Title : Traditional ventilated ridge against wall

Scale : 1/5

Rev. : 0

Drawn by:

Date : 19.10.09

Rev. date : 19.10.09

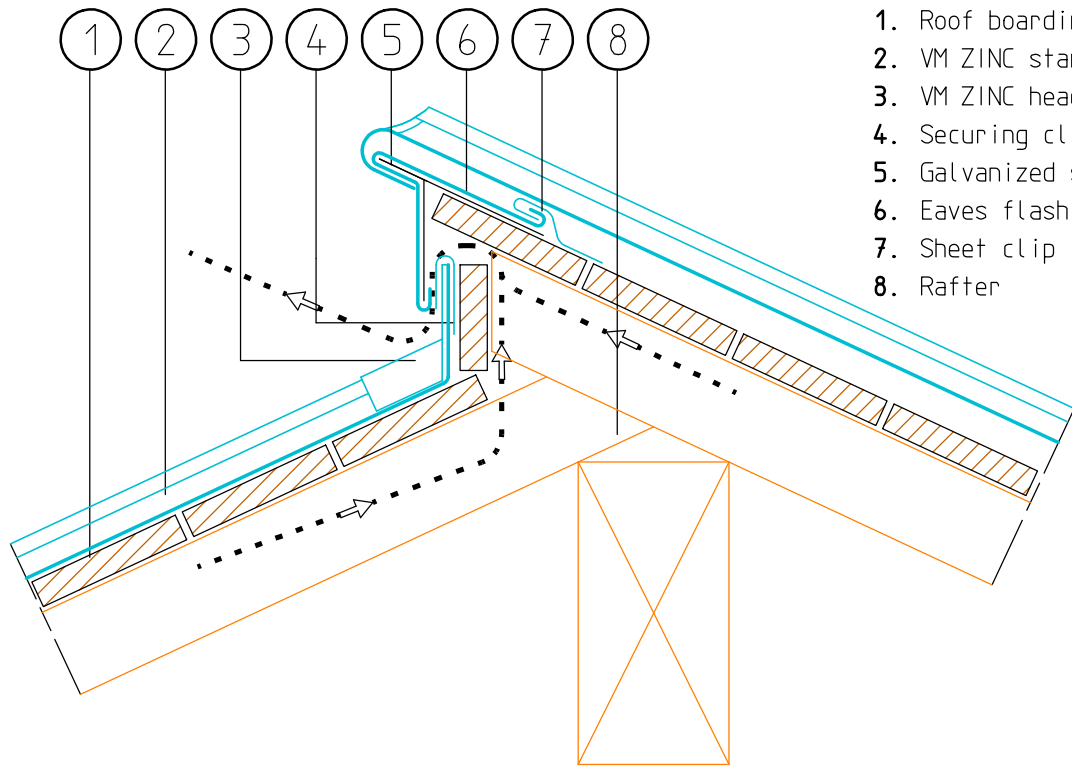
Filename :

Unicore France s.a.s
40 rue Jean Jaurès
F-93176 BAGNOLET Cedex

Tel : (33) 1 49 72 42 42
Fax : (33) 1 49 72 42 74

This study has been achieved as a favour for the applicant, the customer remains responsible for quantities and design

Section



LEGEND :

- 1. Roof boarding
- 2. VM ZINC standing seam roofing
- 3. VM ZINC head slider
- 4. Securing clip
- 5. Galvanized stiffener
- 6. Eaves flashing
- 7. Sheet clip
- 8. Rafter



Subject : VMZ STANDING SEAM VENTILATED ROOFING

Title : Staggered ridge

Scale : 1/5

Rev. : 0

Drawn by:

Date : 19.10.09

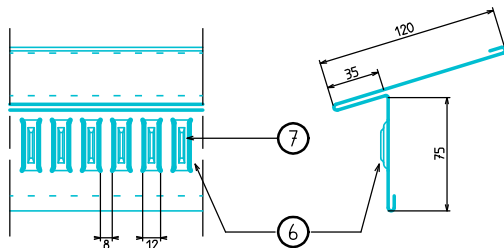
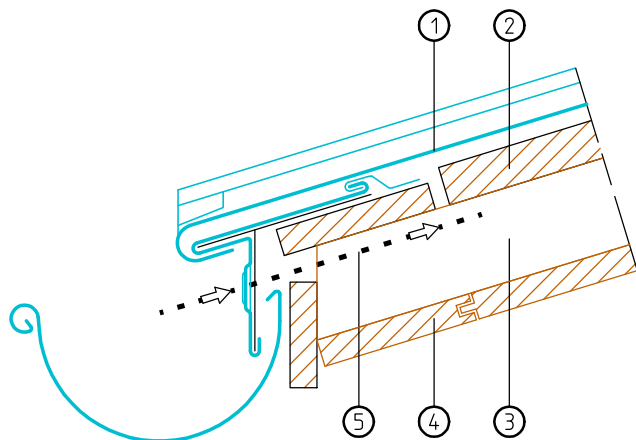
Rev. date : 19.10.09

Filename :

Unicore France s.a.s
40 rue Jean Jaurès
F-93176 BAGNOLET Cedex

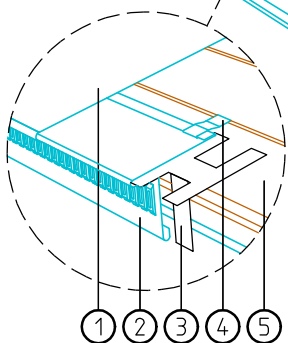
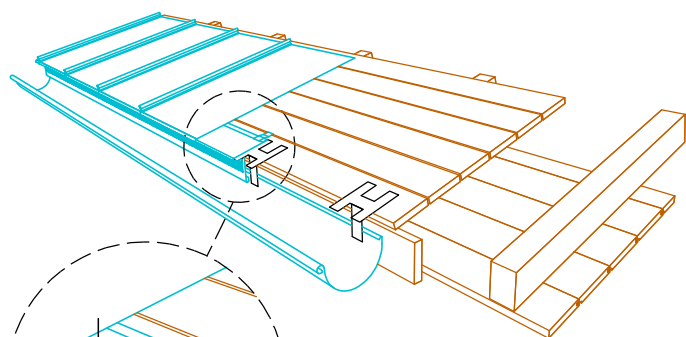
Tel : (33) 1 49 72 42 42
Fax : (33) 1 49 72 42 74

This study has been achieved as a favour for the applicant, the customer remains responsible for quantities and design



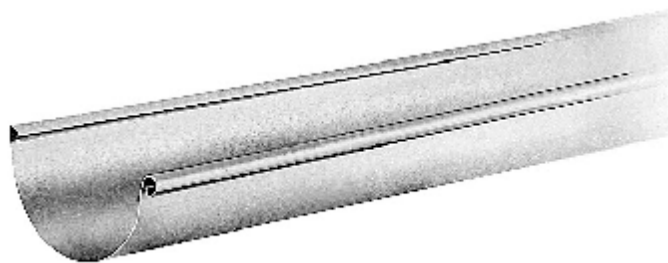
LEGEND :

- 1. Standing seam roofing
- 2. Roof boarding
- 3. Rafter
- 4. Soffit boarding
- 5. Ventilation
- 6. Ventilated strip
- 7. Ventilated ears



LEGEND :

- 1. Standing seam roofing
- 2. Ventilated eaves
- 3. Galvanized stiffener
- 4. Securing clip
- 5. Roof boarding



Subject : VMZ STANDING SEAM VENTILATED ROOFING

Title : Gutter

Scale : 1/5

Rev. : 0

Drawn by:

Date : 25.11.09

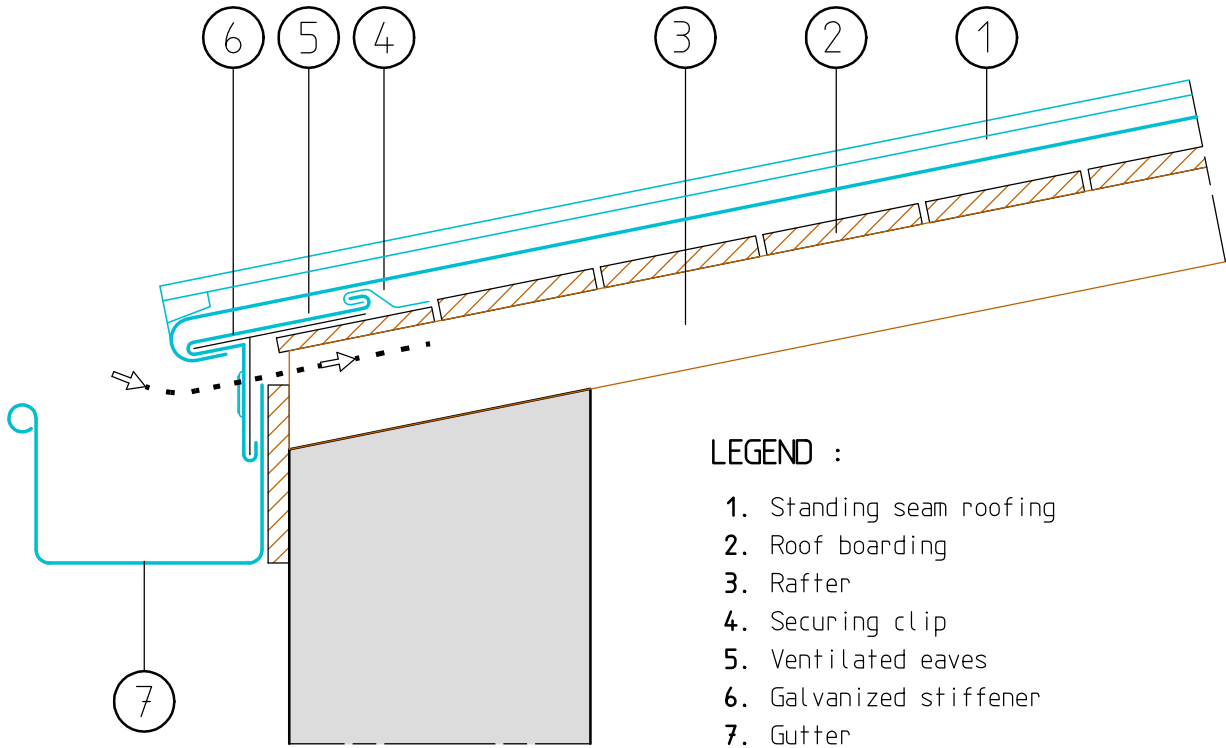
Rev. date : 25.11.09

Filename : Eg4

Unicore France s.a.s
40 rue Jean Jaurès
F-93176 BAGNOLET Cedex

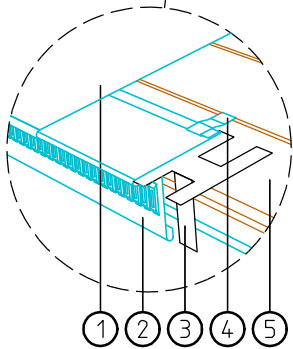
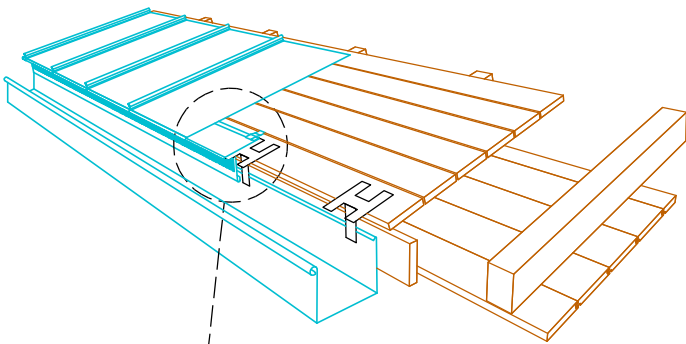
Tel : (33) 1 49 72 42 42
Fax : (33) 1 49 72 42 74

This study has been achieved as a favour for the applicant, the customer remains responsible for quantities and design



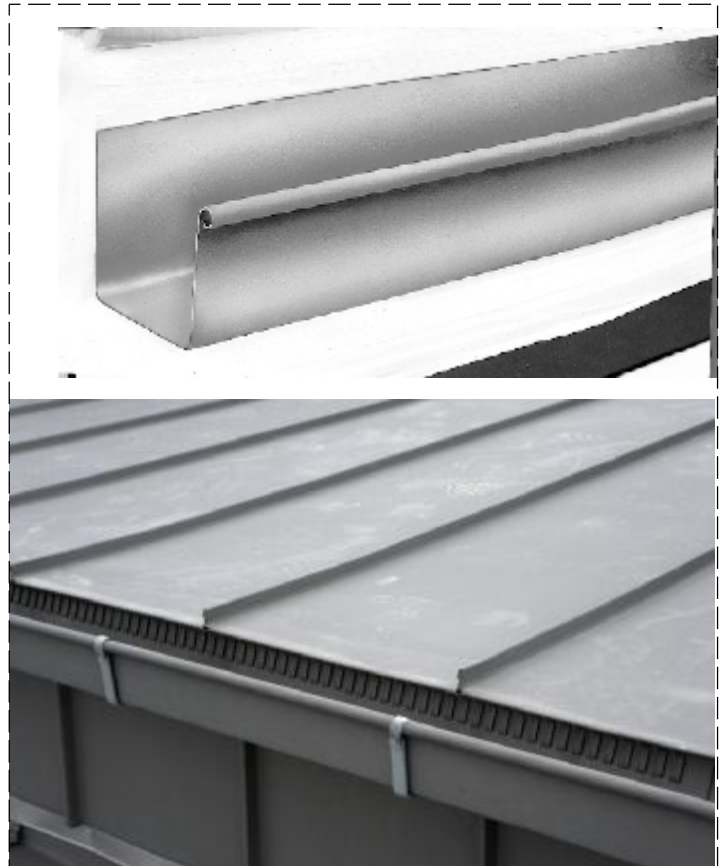
LEGEND :

- 1. Standing seam roofing
- 2. Roof boarding
- 3. Rafter
- 4. Securing clip
- 5. Ventilated eaves
- 6. Galvanized stiffener
- 7. Gutter



LEGEND :

- 1. Standing seam roofing
- 2. Ventilated eaves
- 3. Galvanized stiffener
- 4. Securing clip
- 5. Roof boarding



Subject : VMZ STANDING SEAM VENTILATED ROOFING

Title : Gutter

Scale : 1/5

Rev. : 0

Drawn by:

Date : 25.11.09

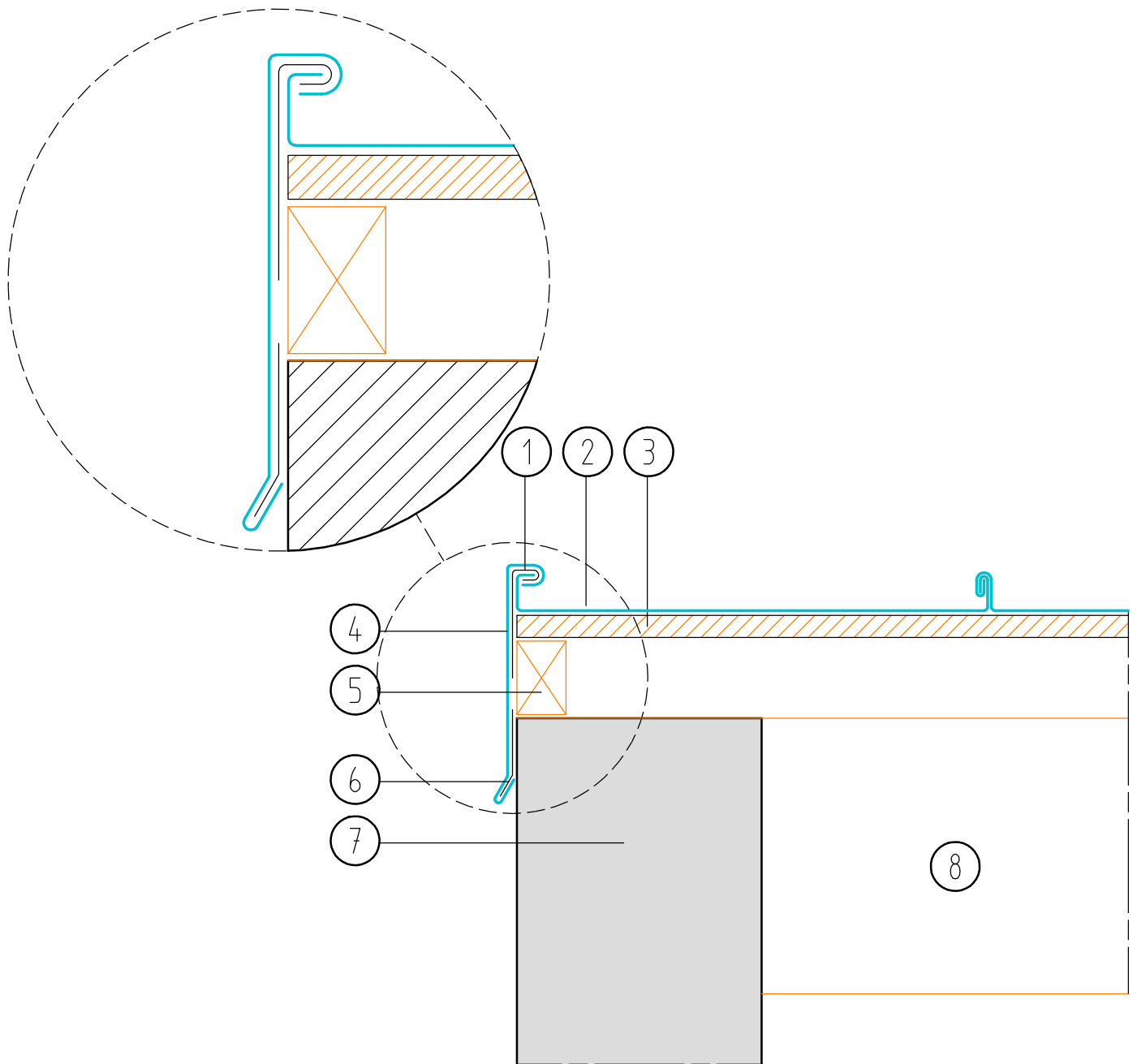
Rev. date : 25.11.09

Filename :

Unicore France s.a.s
40 rue Jean Jaurès
F-93176 BAGNOLET Cedex

Tel : (33) 1 49 72 42 42
Fax : (33) 1 49 72 42 74

This study has been achieved as a favour for the applicant, the customer remains responsible for quantities and design



LEGEND :

- 1. Securing strip
- 2. VM ZINC standing seam roofing
- 3. Roof boarding
- 4. Edge flashing
- 5. Rafter
- 6. Stainless clip
- 7. Masonry
- 8. Purlin



Subject : VMZ STANDING SEAM VENTILATED ROOFING

Title : Single lock standing seam edge

Scale : 1/5

Rev. : 0

Drawn by:

Date : 19.10.09

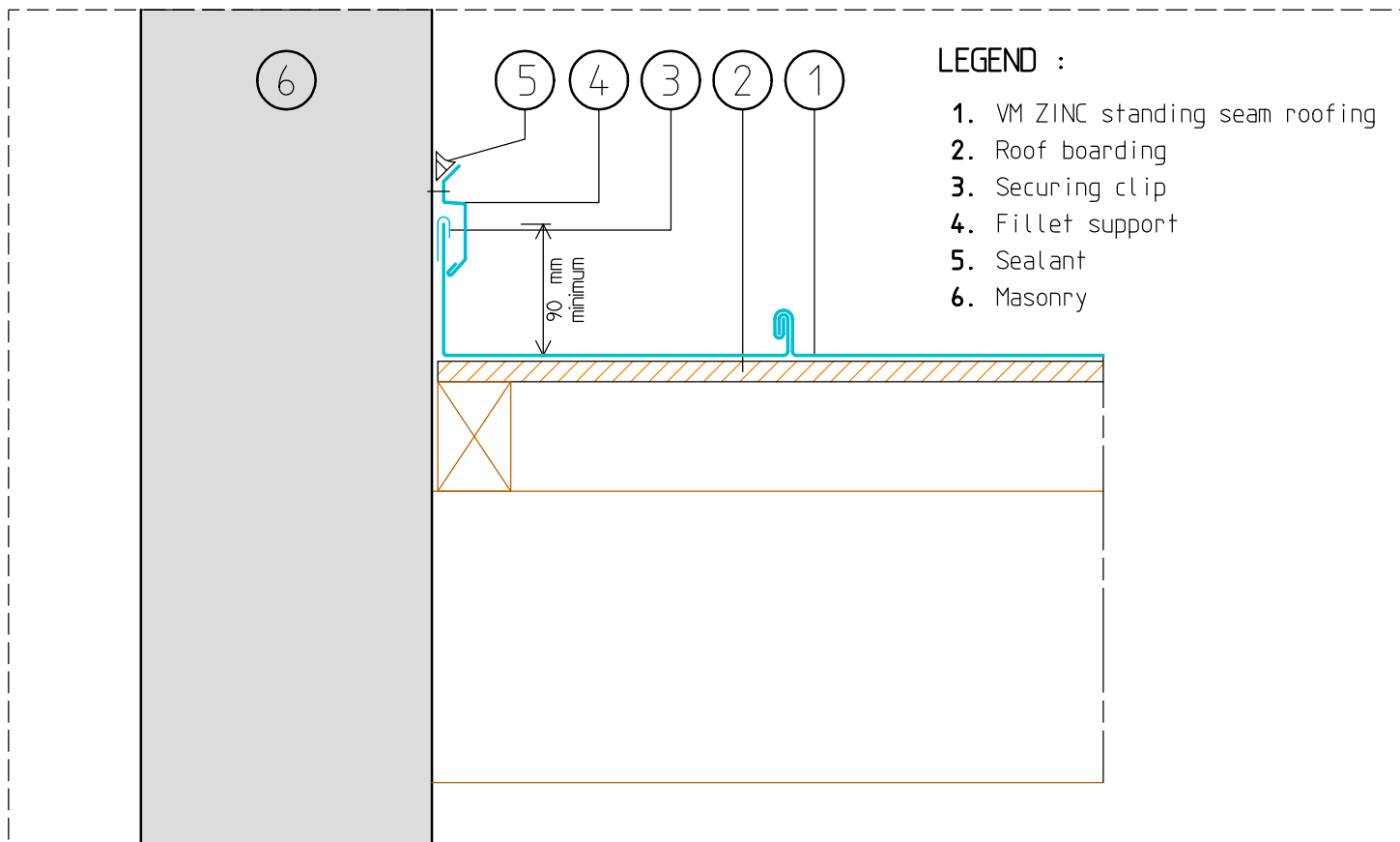
Rev. date : 19.10.09

Filename :

Unicore France s.a.s
40 rue Jean Jaurès
F-93176 BAGNOLET Cedex

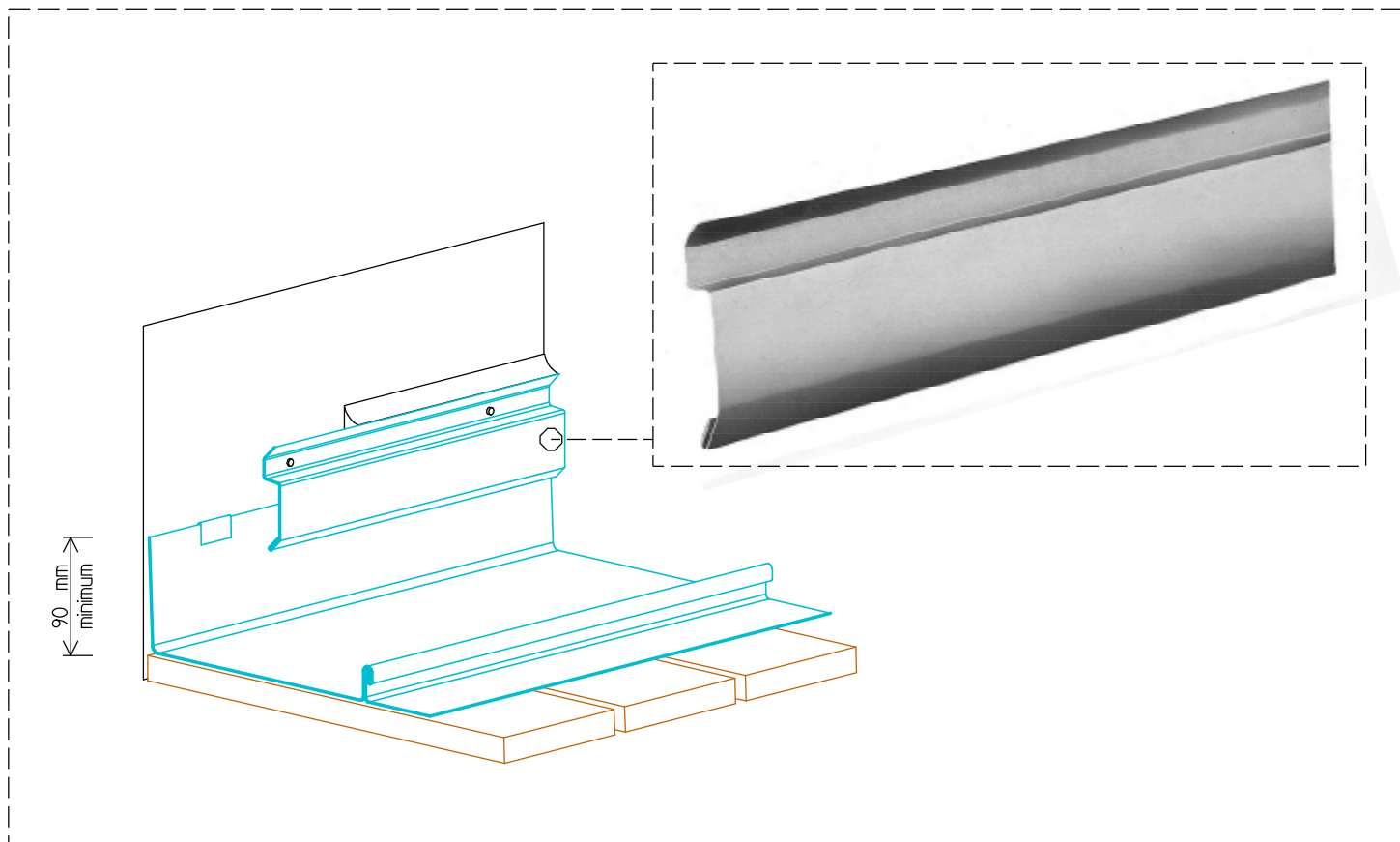
Tel : (33) 1 49 72 42 42
Fax : (33) 1 49 72 42 74

This study has been achieved as a favour for the applicant, the customer remains responsible for quantities and design



LEGEND :

- 1. VM ZINC standing seam roofing
- 2. Roof boarding
- 3. Securing clip
- 4. Fillet support
- 5. Sealant
- 6. Masonry



Subject : VMZ STANDING SEAM VENTILATED ROOFING

Title : Edge against wall

Scale : 1/5

Rev. : 0

Drawn by:

Date : 19.10.09

Rev. date : 19.10.09

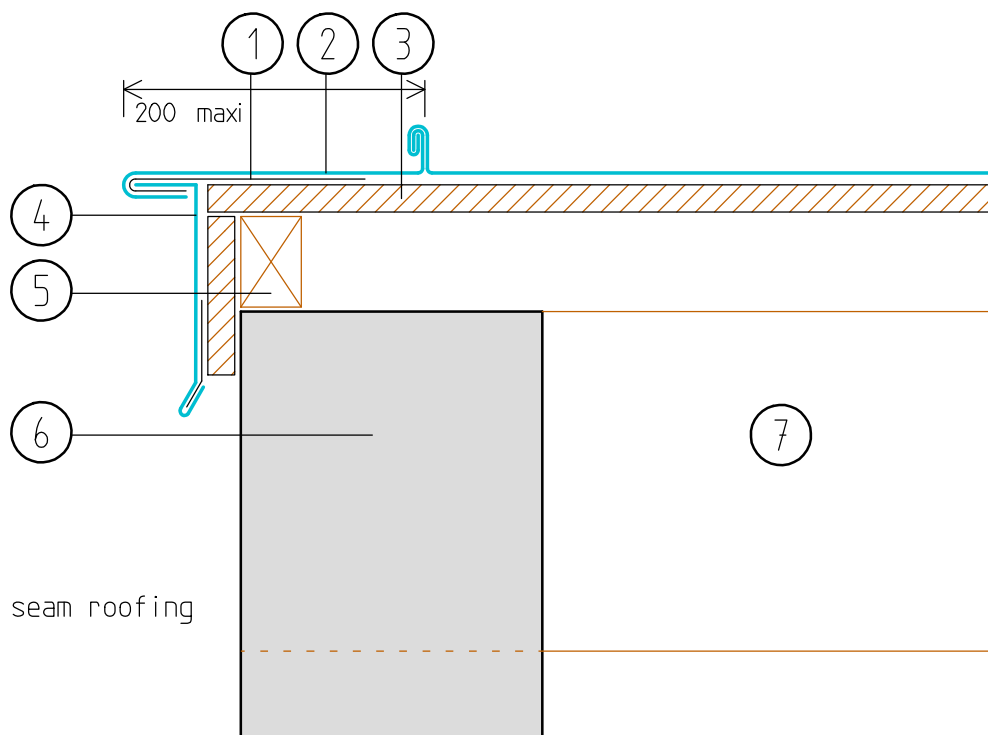
Filename :

Unicore France s.a.s
40 rue Jean Jaurès
F-93176 BAGNOLET Cedex

Tel : (33) 1 49 72 42 42
Fax : (33) 1 49 72 42 74

This study has been achieved as a favour for the applicant, the customer remains responsible for quantities and design

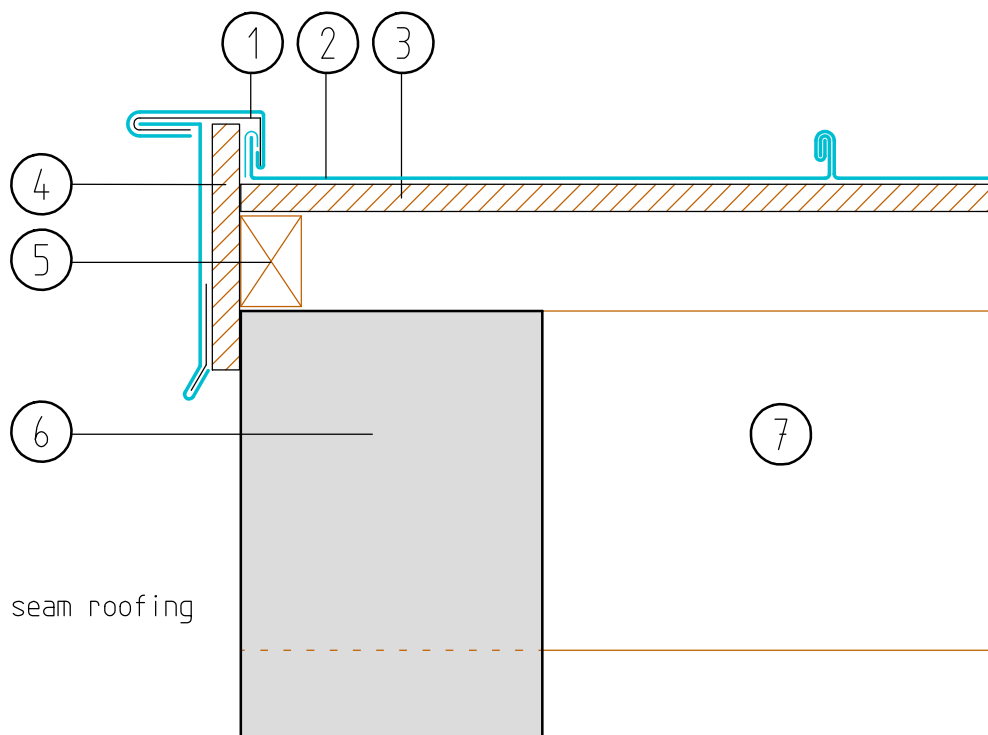
Slanting edge



LEGEND :

1. Securing strip
2. VM ZINC standing seam roofing
3. Roof boarding
4. Edge flashing
5. Rafter
6. Masonry
7. Purlin

Edge with timber



LEGEND :

1. Securing strip
2. VM ZINC standing seam roofing
3. Roof boarding
4. Timber
5. Rafter
6. Masonry
7. Purlin

VMZINC

Subject : VMZ STANDING SEAM VENTILATED ROOFING

Title : Edge on gamble

Scale : 1/5

Rev. : 0

Drawn by:

Date : 19.10.09

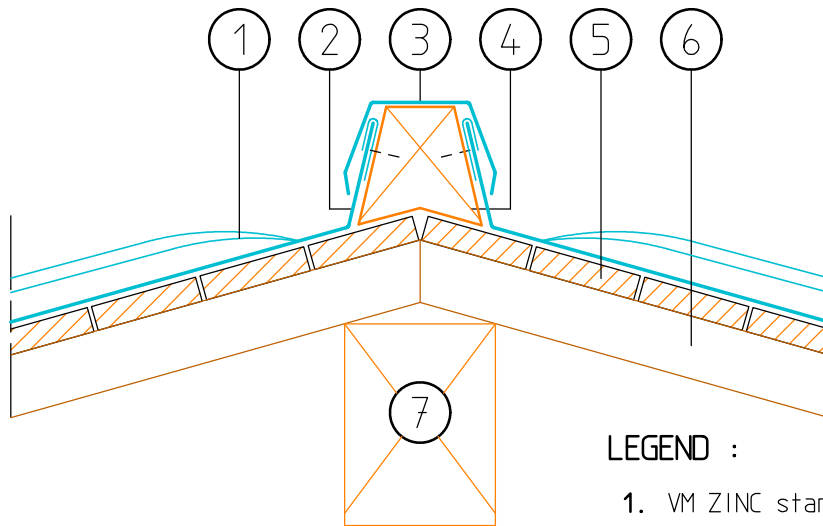
Rev. date : 19.10.09

Filename : VM_DET_EDGE

Unicore France s.a.s
40 rue Jean Jaurès
F-93176 BAGNOLET Cedex

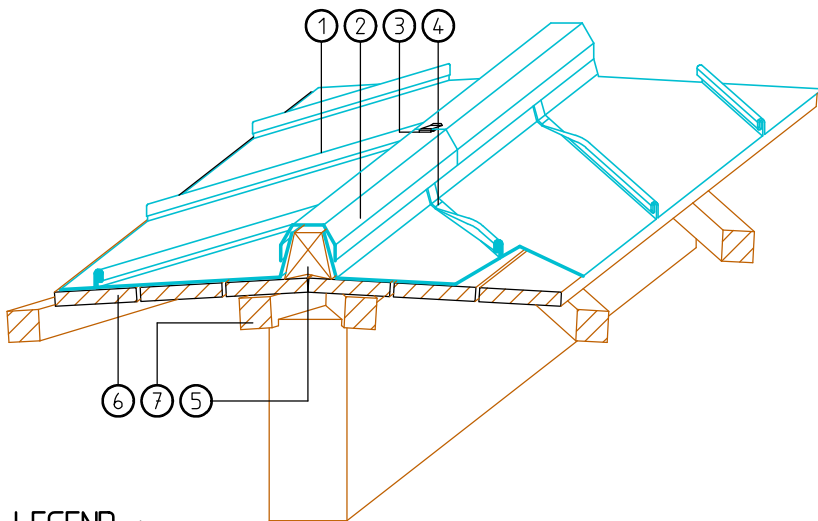
Tel : (33) 1 49 72 42 42
Fax : (33) 1 49 72 42 74

This study has been achieved as a favour for the applicant, the customer remains responsible for quantities and design



LEGEND :

- 1. VM ZINC standing seam roofing
- 2. Upstand
- 3. Hip cap
- 4. Hip rafter
- 5. Roof boarding
- 6. Rafter
- 7. Hip purlin



LEGEND :

- 1. VM ZINC standing seam roofing
- 2. Hip cap
- 3. Clips
- 4. Upstand
- 5. Hip rafter
- 6. Roof boarding
- 7. Rafter



Subject : VMZ STANDING SEAM VENTILATED ROOFING

Title : Roll cap hip

Scale : 1/5

Rev. : 0

Drawn by:

Date : 19.10.09

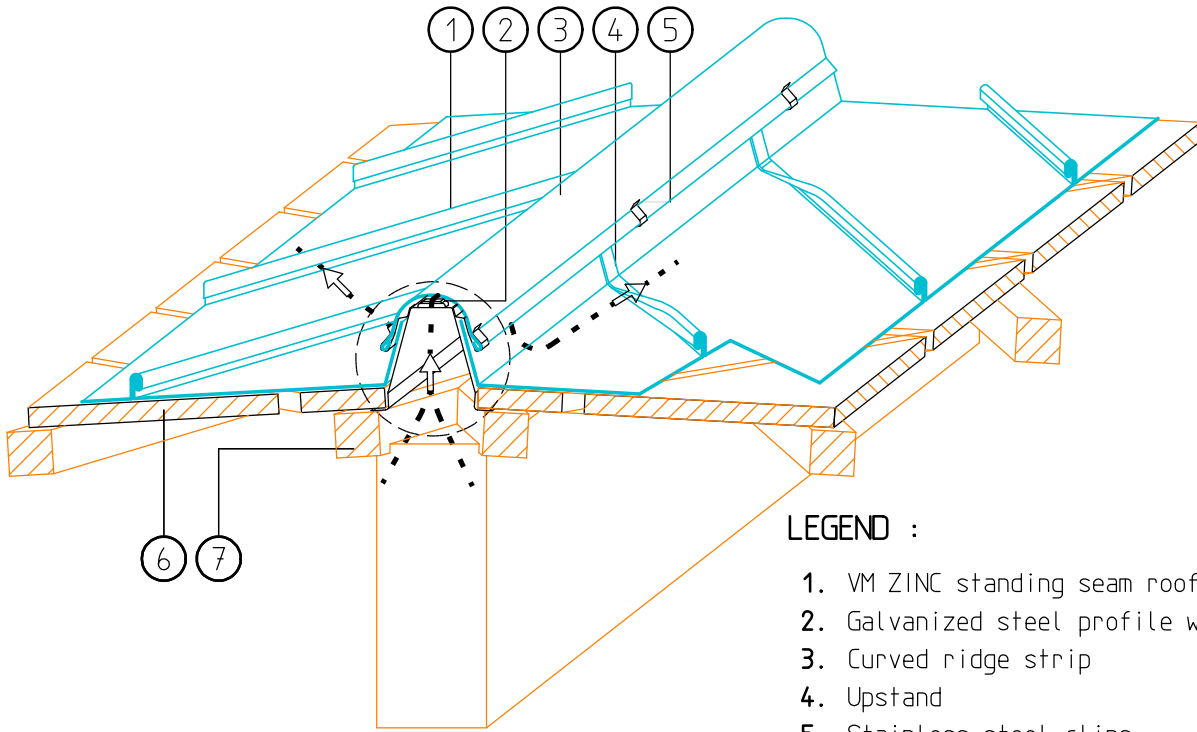
Rev. date : 19.10.09

Filename :

Unicore France s.a.s
40 rue Jean Jaurès
F-93176 BAGNOLET Cedex

Tel : (33) 1 49 72 42 42
Fax : (33) 1 49 72 42 74

This study has been achieved as a favour for the applicant, the customer remains responsible for quantities and design



LEGEND :

1. VM ZINC standing seam roofing
2. Galvanized steel profile w/ventilation ears
3. Curved ridge strip
4. Upstand
5. Stainless steel clips
6. Roof boarding
7. Rafter



Subject : VMZ STANDING SEAM VENTILATED ROOFING

Title : Ventilated hip detail

Scale : 1/5

Rev. : 0

Drawn by:

Date : 19.10.09

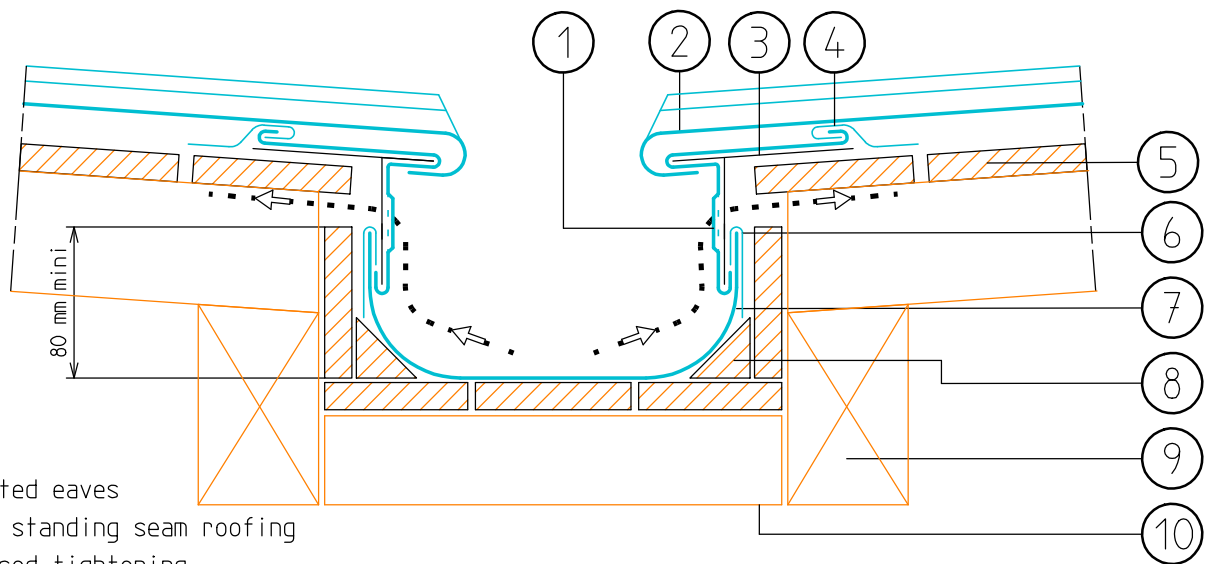
Rev. date : 19.10.09

Filename :

Unicore France s.a.s
40 rue Jean Jaurès
F-93176 BAGNOLET Cedex

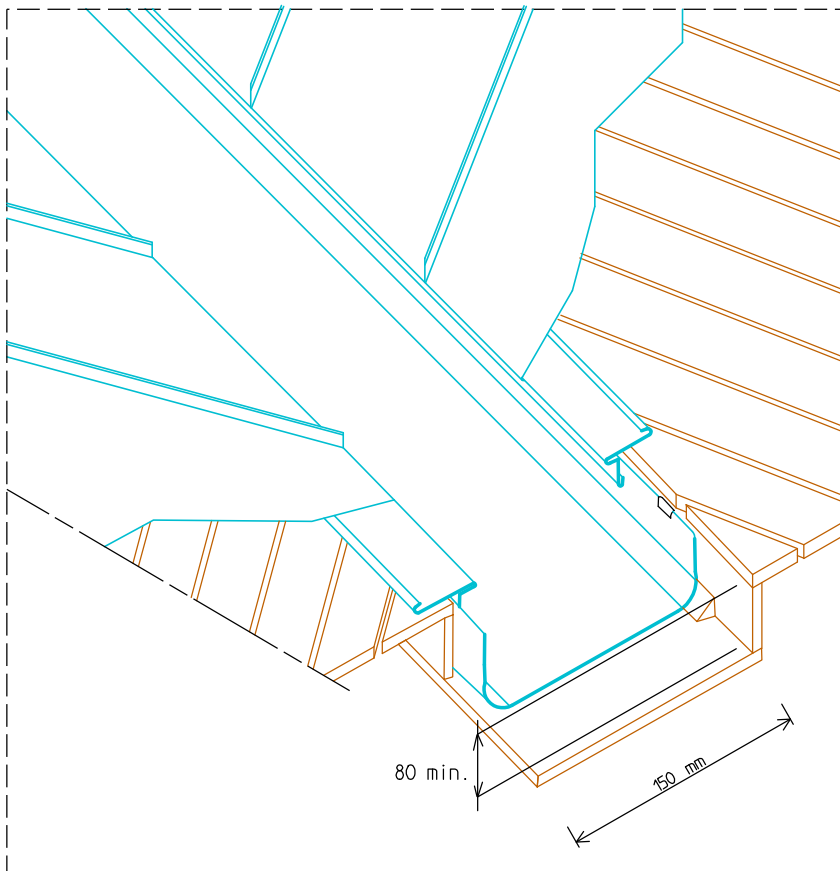
Tel : (33) 1 49 72 42 42
Fax : (33) 1 49 72 42 74

This study has been achieved as a favour for the applicant, the customer remains responsible for quantities and design



LEGEND :

1. Vnetilated eaves
2. VM ZINC standing seam roofing
3. Galvanised tightening
4. Securing clip
5. Roof boarding
6. Clip
7. Gutter
8. Timber fillet
9. Purlin
10. Rafter



Subject : VMZ STANDING SEAM VENTILATED ROOFING

Title : Recessed valley

Scale : 1/5

Rev. : 0

Drawn by:

Date : 19.10.09

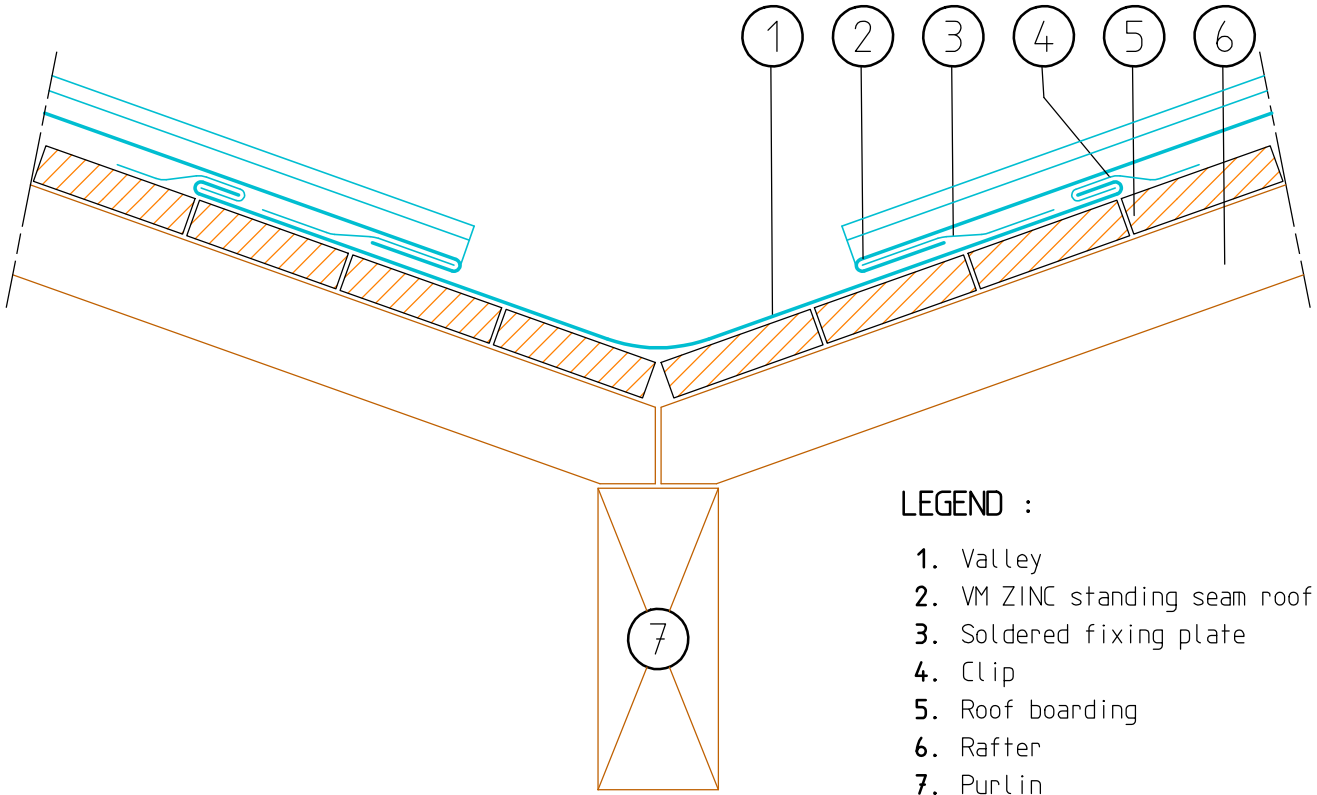
Rev. date : 19.10.09

Filename : VM_DET_RECESSED VALLEY

Unicore France s.a.s
40 rue Jean Jaurès
F-93176 BAGNOLET Cedex

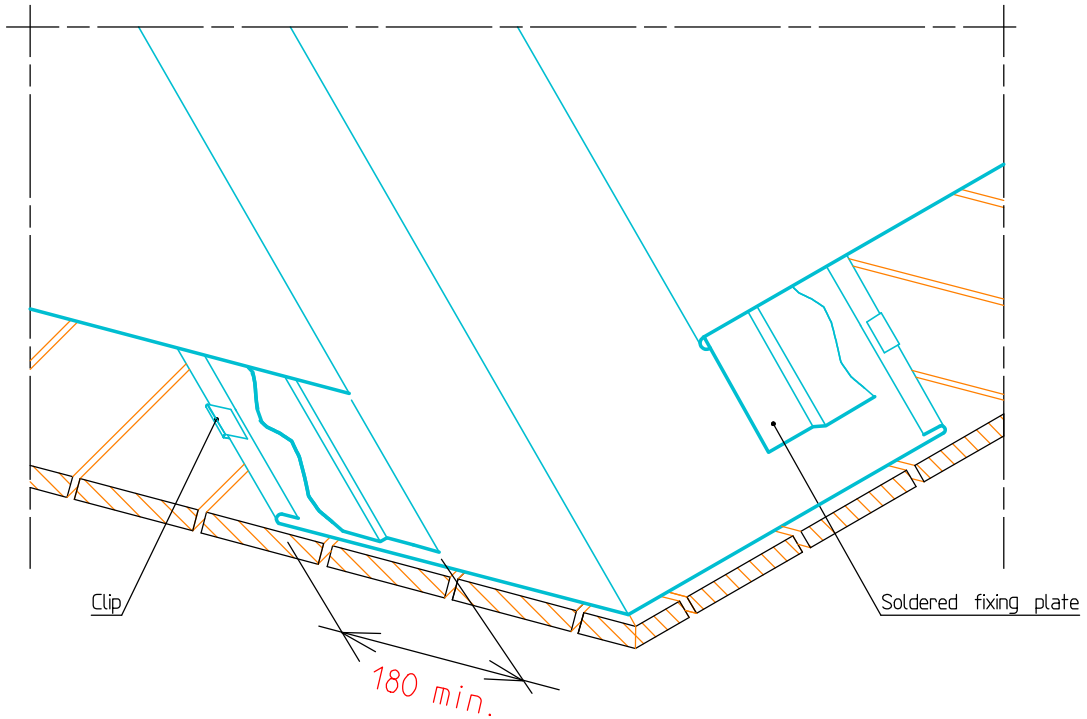
Tel : (33) 1 49 72 42 42
Fax : (33) 1 49 72 42 74

This study has been achieved as a favour for the applicant, the customer remains responsible for quantities and design



LEGEND :

- 1. Valley
- 2. VM ZINC standing seam roofing
- 3. Soldered fixing plate
- 4. Clip
- 5. Roof boarding
- 6. Rafter
- 7. Purlin



Subject : VMZ STANDING SEAM VENTILATED ROOFING

Title : Valley

Scale : 1/5

Rev. : 0

Drawn by:

Date : 19.10.09

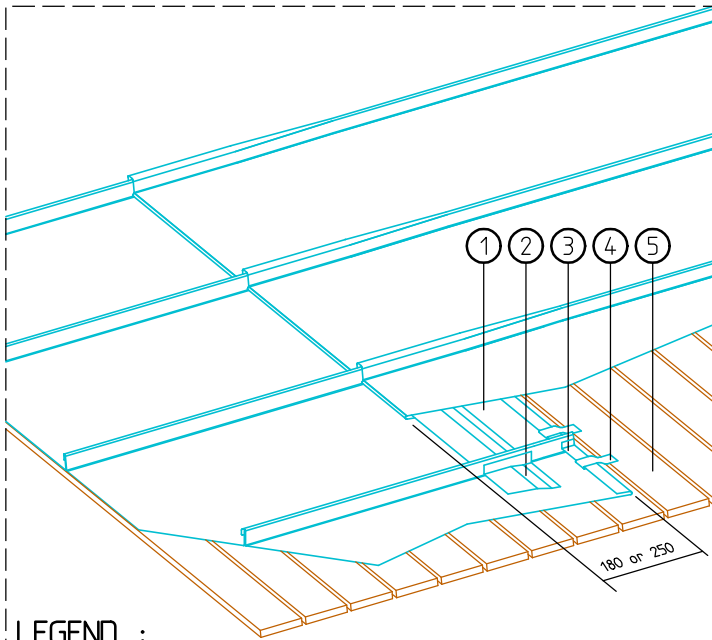
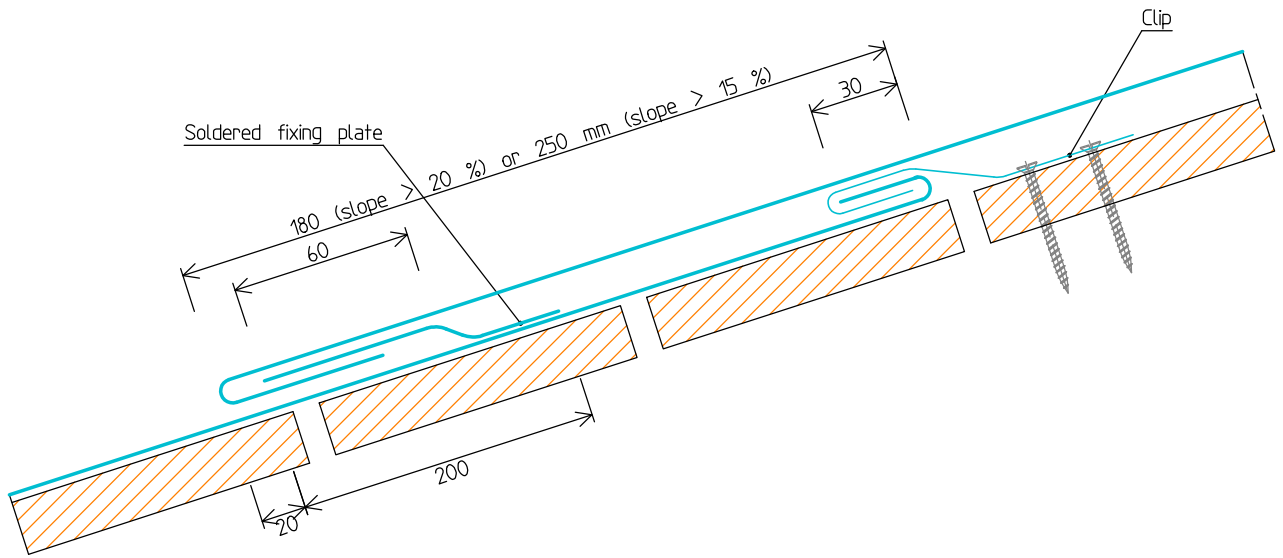
Rev. date : 19.10.09

Filename : VM_DET_VALLEY

Unicore France s.a.s
40 rue Jean Jaurès
F-93176 BAGNOLET Cedex

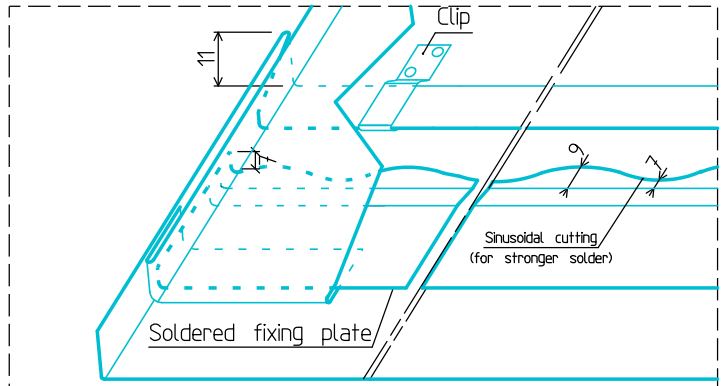
Tel : (33) 1 49 72 42 42
Fax : (33) 1 49 72 42 74

This study has been achieved as a favour for the applicant, the customer remains responsible for quantities and design



LEGEND :

- 1. Decompression chamber
- 2. Soldered fixing plate
- 3. Folded VM ZINC sheet
- 4. Clip
- 5. Roof boarding



Subject : VMZ STANDING SEAM VENTILATED ROOFING

Title : Double welt junction

Scale : 1/5

Rev. : 0

Drawn by:

Date : 19.10.09

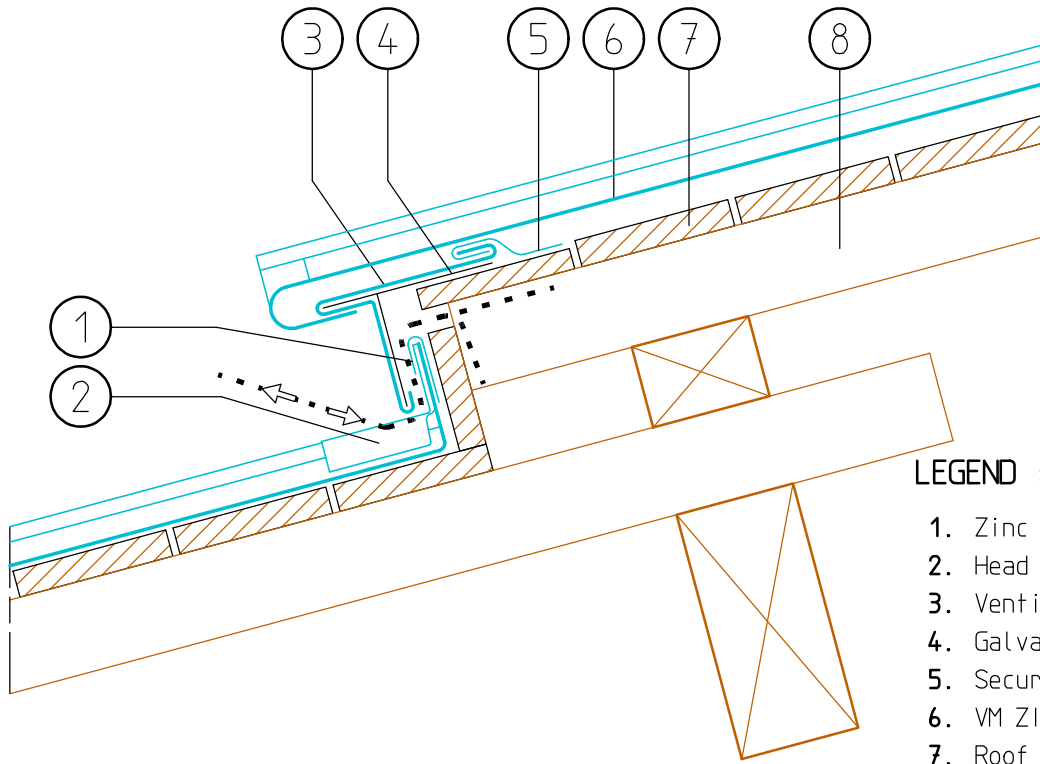
Rev. date : 19.10.09

Filename :

Unicore France s.a.s
40 rue Jean Jaurès
F-93176 BAGNOLET Cedex

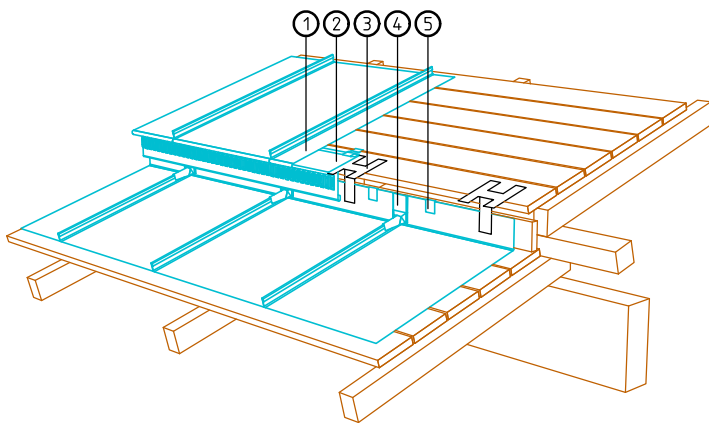
Tel : (33) 1 49 72 42 42
Fax : (33) 1 49 72 42 74

This study has been achieved as a favour for the applicant, the customer remains responsible for quantities and design



LEGEND :

- 1. Zinc sheet clip
- 2. Head seam slider
- 3. Ventilated eaves strip
- 4. Galvanized stiffener
- 5. Securing clip
- 6. VM ZINC standing seam roofing
- 7. Roof boarding
- 8. Rafter



LEGEND :

- 1. VM ZINC standing seam roofing
- 2. Ventilated eaves strip
- 3. Galvanized stiffener
- 4. Head seam slider
- 5. Zinc sheet clip



Subject : VMZ STANDING SEAM VENTILATED ROOFING

Title : Step junction

Scale : 1/5

Rev. : 0

Drawn by:

Date : 19.10.09

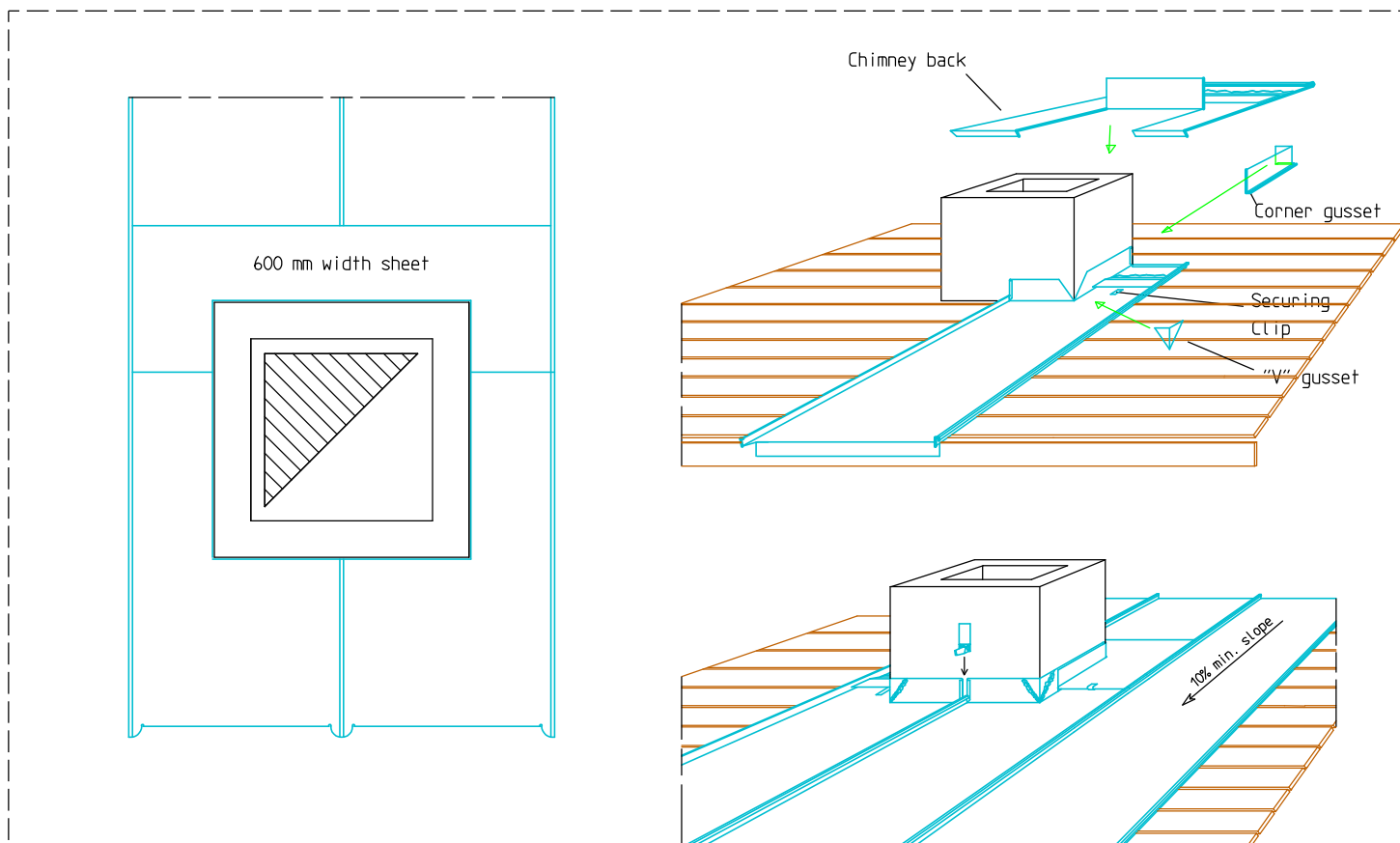
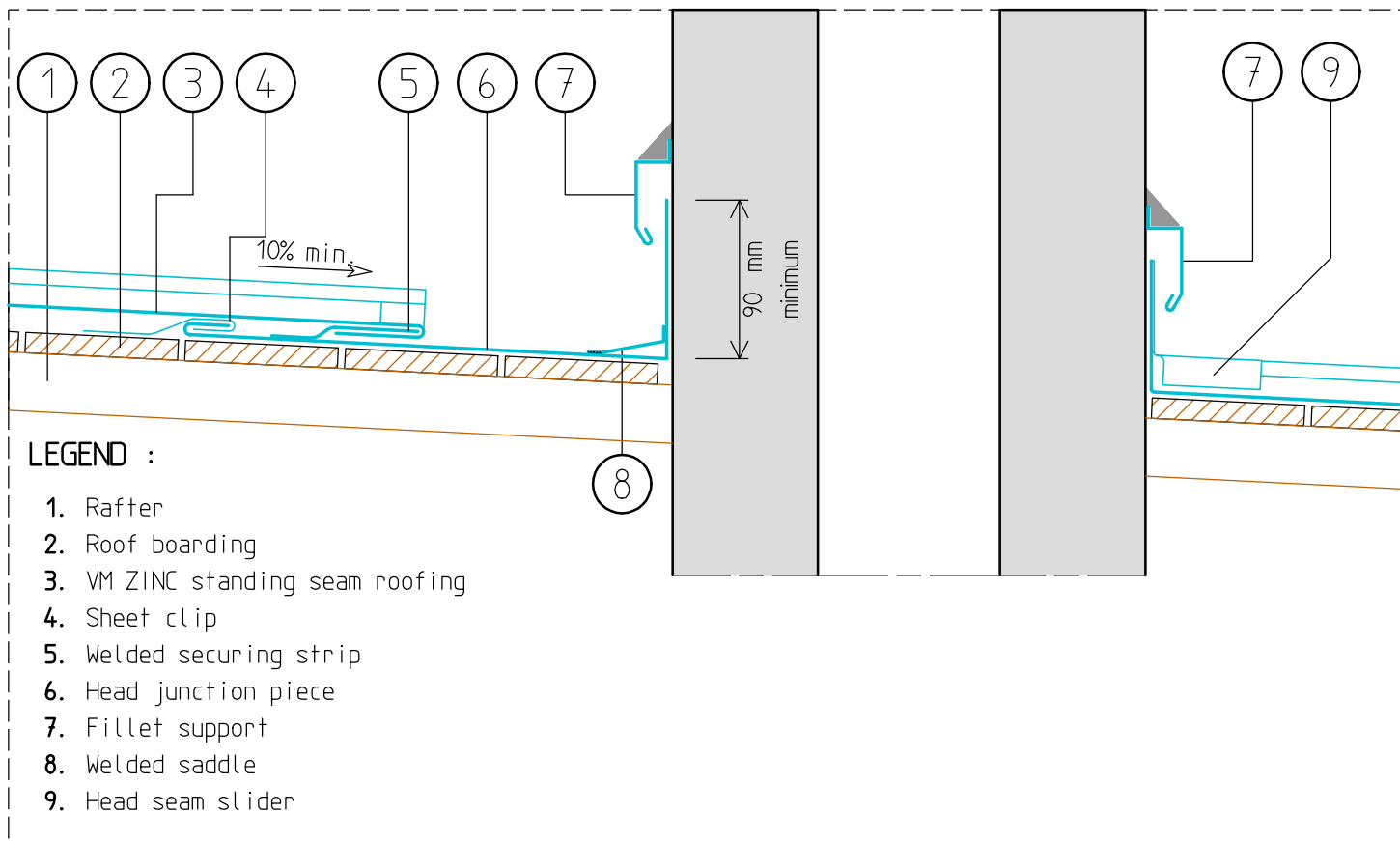
Rev. date : 19.10.09

Filename :

Unicore France s.a.s
40 rue Jean Jaurès
F-93176 BAGNOLET Cedex

Tel : (33) 1 49 72 42 42
Fax : (33) 1 49 72 42 74

This study has been achieved as a favour for the applicant, the customer remains responsible for quantities and design



Subject : VMZ STANDING SEAM VENTILATED ROOFING

Title : Chimney surrounding

Scale : 1/5

Rev. : 0

Drawn by:

Date : 19.10.09

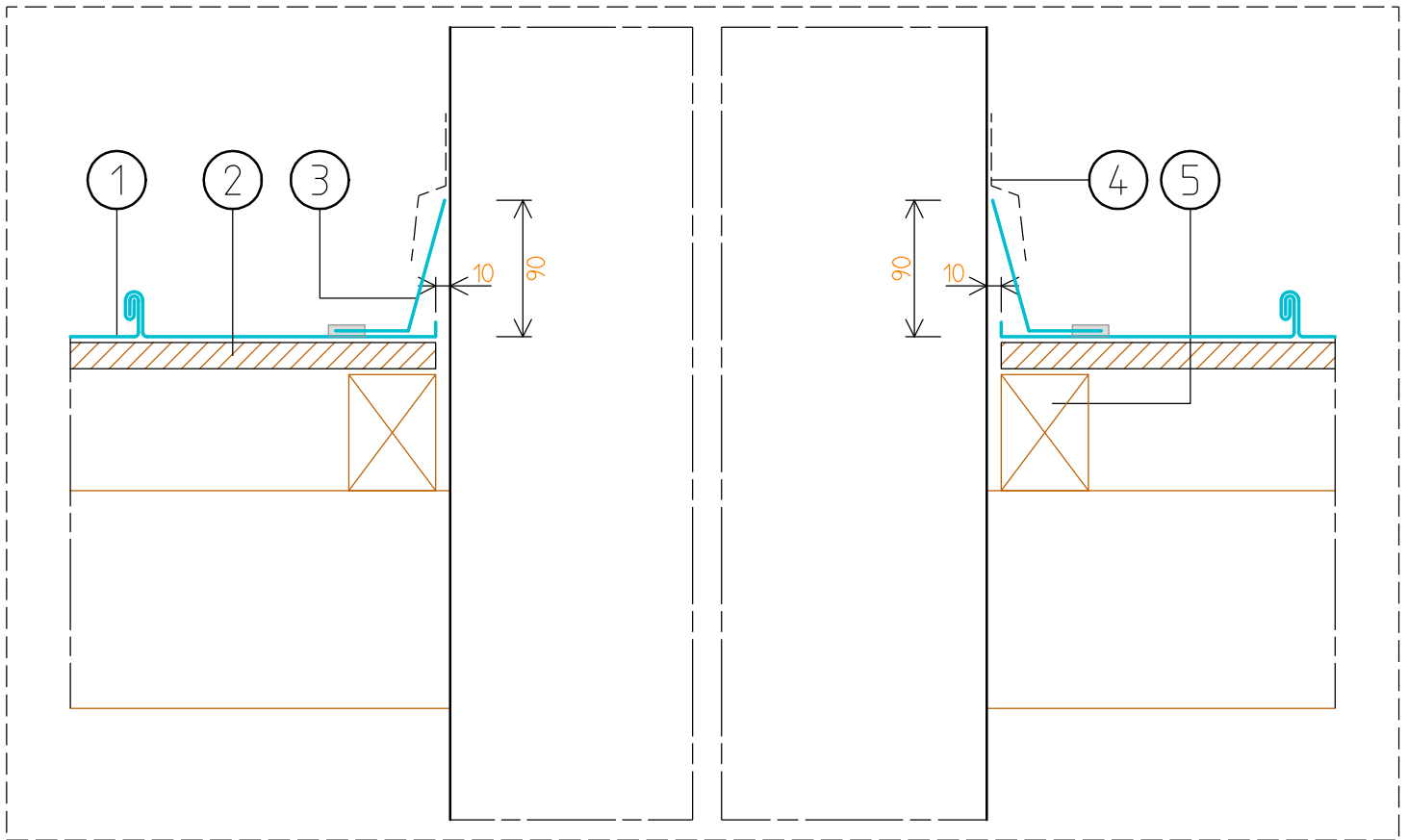
Rev. date : 19.10.09

Filename :

Unicore France s.a.s
40 rue Jean Jaurès
F-93176 BAGNOLET Cedex

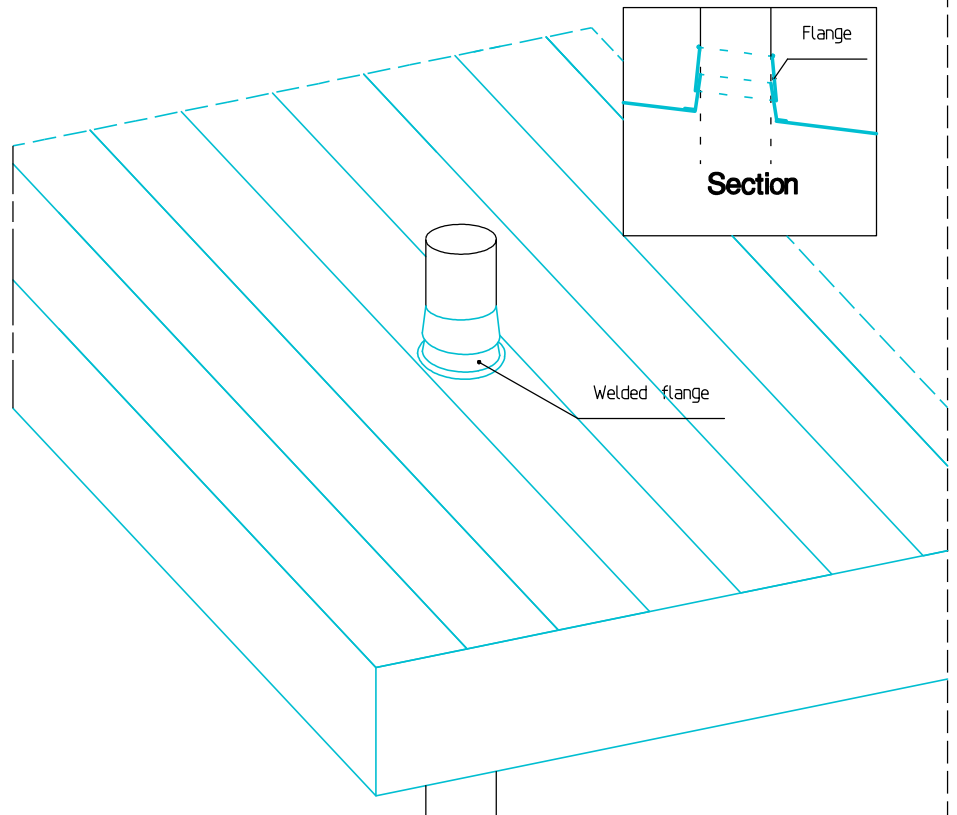
Tel : (33) 1 49 72 42 42
Fax : (33) 1 49 72 42 74

This study has been achieved as a favour for the applicant, the customer remains responsible for quantities and design



LEGEND :

1. VM ZINC standing seam roofing
2. Roof boarding
3. Welded flange on the roof panel
4. Flange fixed on the chimney
5. Rafter



Subject : VMZ STANDING SEAM VENTILATED ROOFING

Title : Chimney surrounding

Scale : 1/5

Rev. : 0

Drawn by:

Date : 19.10.09

Rev. date : 19.10.09

Filename :

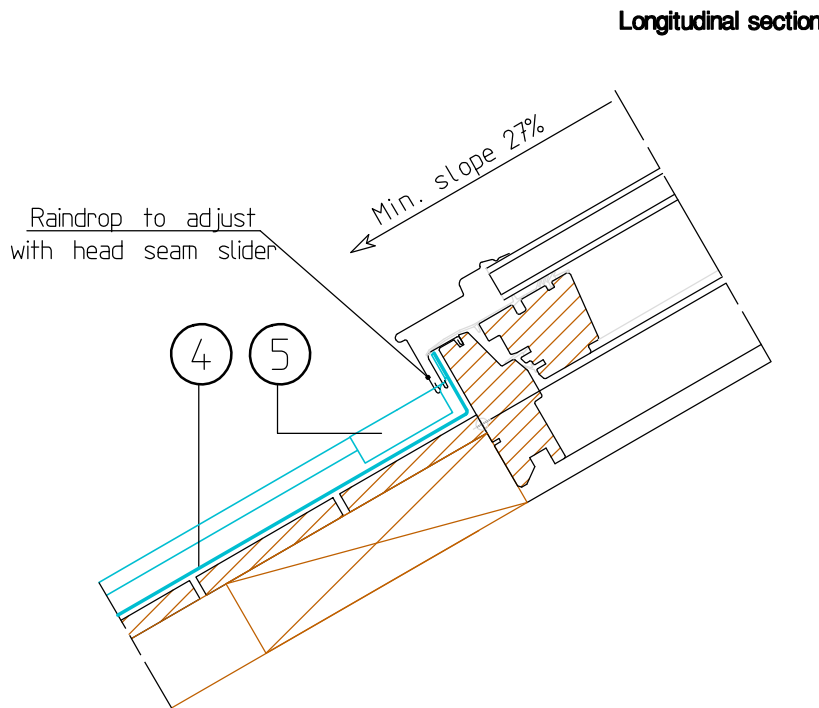
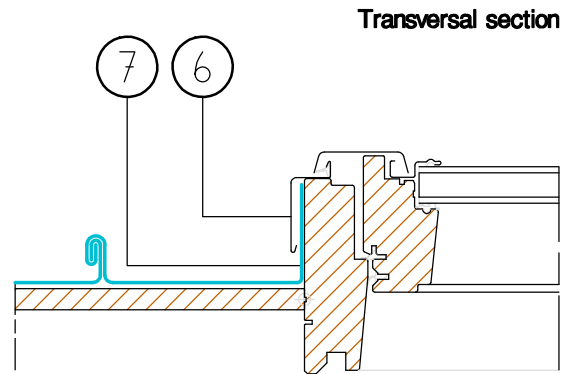
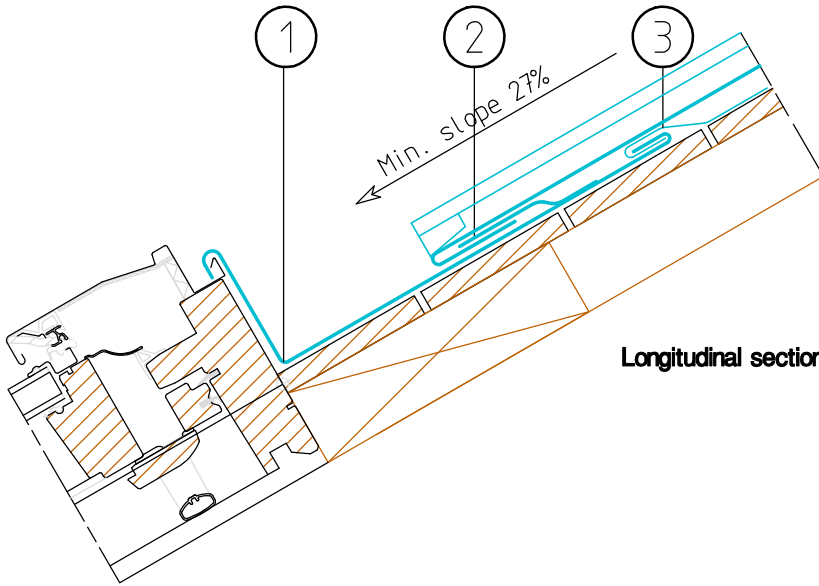
Unicore France s.a.s
40 rue Jean Jaurès
F-93176 BAGNOLET Cedex

Tel : (33) 1 49 72 42 42
Fax : (33) 1 49 72 42 74

This study has been achieved as a favour for the applicant, the customer remains responsible for quantities and design

LEGEND :

1. Head junction piece
2. Welded securing strip
3. Sheet clip
4. VM ZINC standing seam roofing
5. Head seam slider
6. Lateral junction piece
7. Lateral upstand



Subject : VMZ STANDING SEAM VENTILATED ROOFING

Title : Roof window surroundings

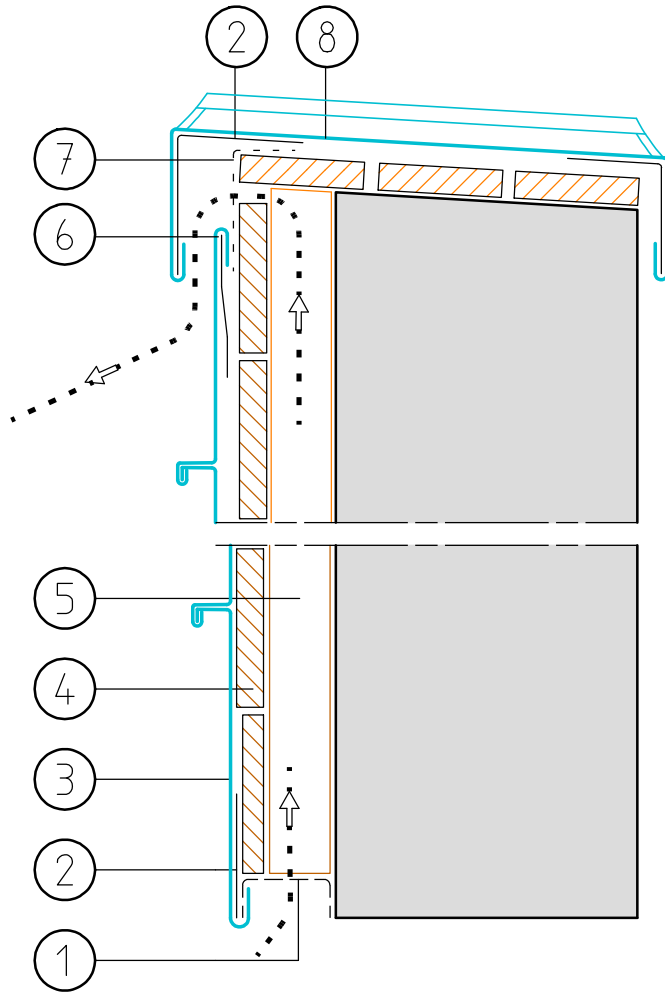
Scale : 1/5 Rev. : 0 Drawn by:

Date : 19.10.09 Rev. date : 19.10.09 Filename :

Unicore France s.a.s
40 rue Jean Jaurès
F-93176 BAGNOLET Cedex

Tel : (33) 1 49 72 42 42
Fax : (33) 1 49 72 42 74

This study has been achieved as a favour for the applicant, the customer remains responsible for quantities and design



LEGEND :

- 1. Perforated strip
- 2. Securing strip
- 3. VM ZINC standing seam cladding
- 4. Boarding
- 5. Rafter
- 6. Galvanized strip
- 7. Anti-insects grid
- 8. Standing seam parapet



Subject : VMZ STANDING SEAM VENTILATED CLADDING

Title : Horizontal layout - Head & bottom detail

Scale : 1/5

Rev. : 0

Drawn by:

Date : 19.10.09

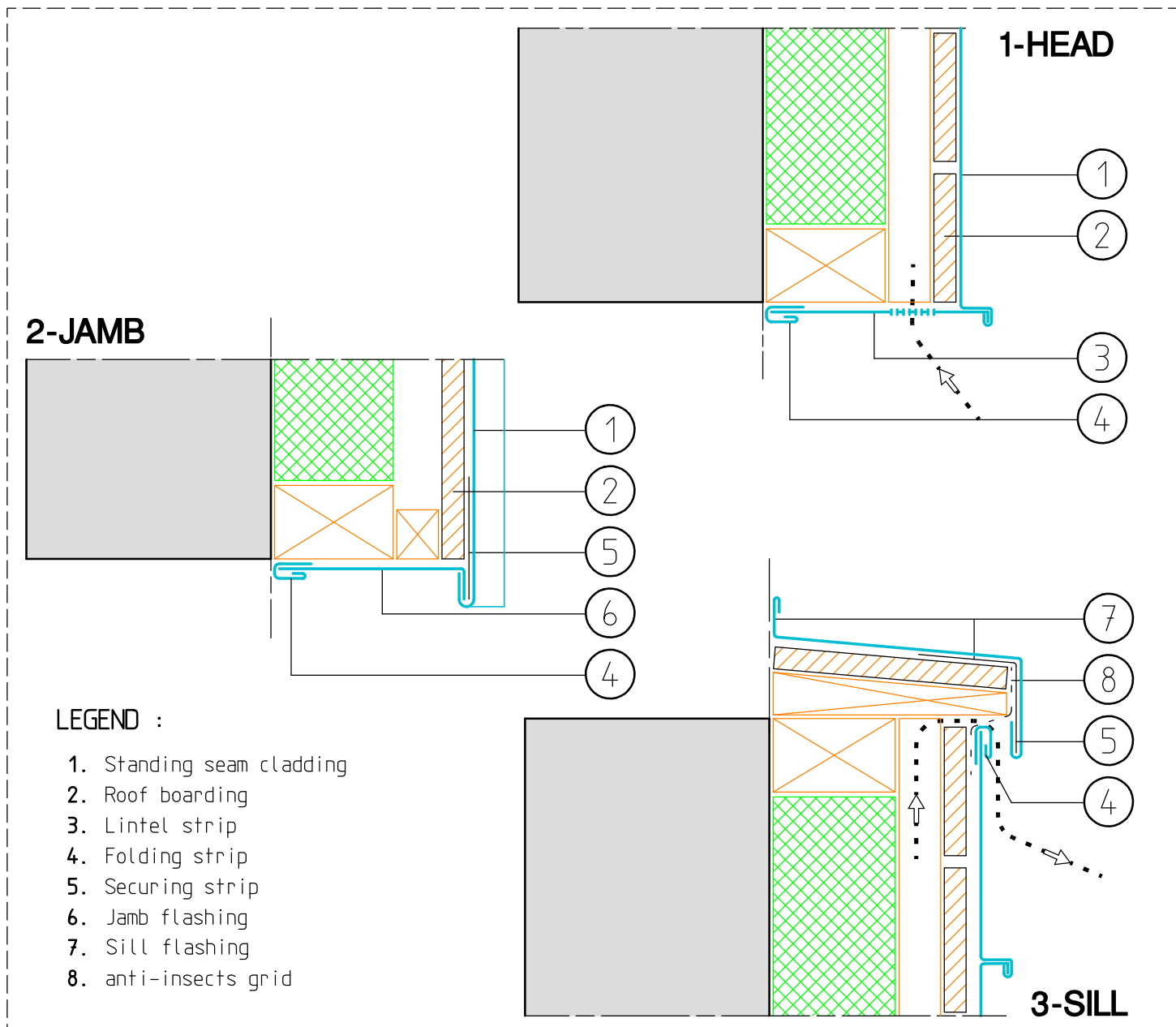
Rev. date : 19.10.09

Filename :

Unicore France s.a.s
40 rue Jean Jaurès
F-93176 BAGNOLET Cedex

Tel : (33) 1 49 72 42 42
Fax : (33) 1 49 72 42 74

This study has been achieved as a favour for the applicant, the customer remains responsible for quantities and design



VMZINC

Subject : VMZ STANDING SEAM VENTILATED CLADDING

Title : Horizontal layout - Windows surroundings

Scale : 1/5

Rev. : 0

Drawn by:

Date : 19.10.09

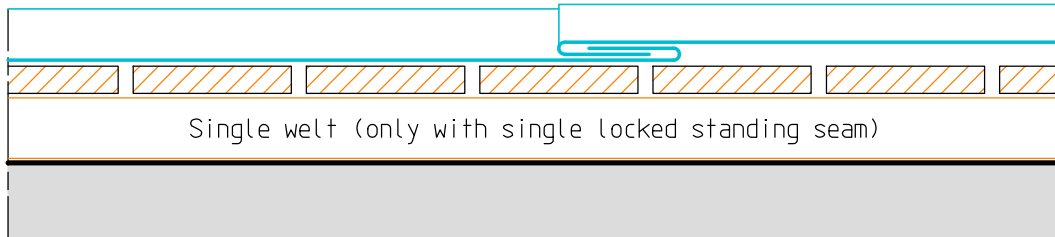
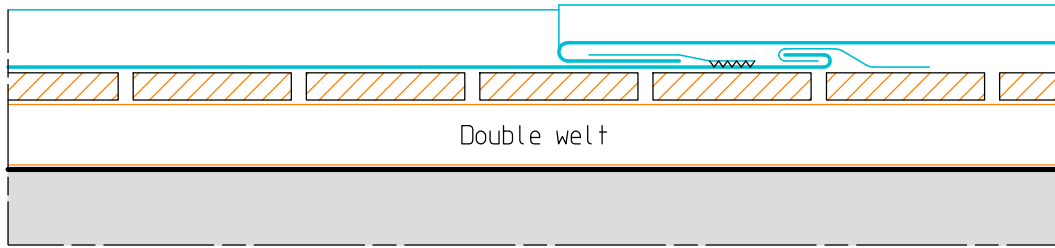
Rev. date : 19.10.09

Filename : VM_DET_WINDOWS_H

Unicore France s.a.s
40 rue Jean Jaurès
F-93176 BAGNOLET Cedex

Tel : (33) 1 49 72 42 42
Fax : (33) 1 49 72 42 74

This study has been achieved as a favour for the applicant, the customer remains responsible for quantities and design



Subject : VMZ STANDING SEAM VENTILATED CLADDING

Title : Horizontal layout - Single & double wirt junction

Scale : 1/5

Rev. : 0

Drawn by:

Date : 19.10.09

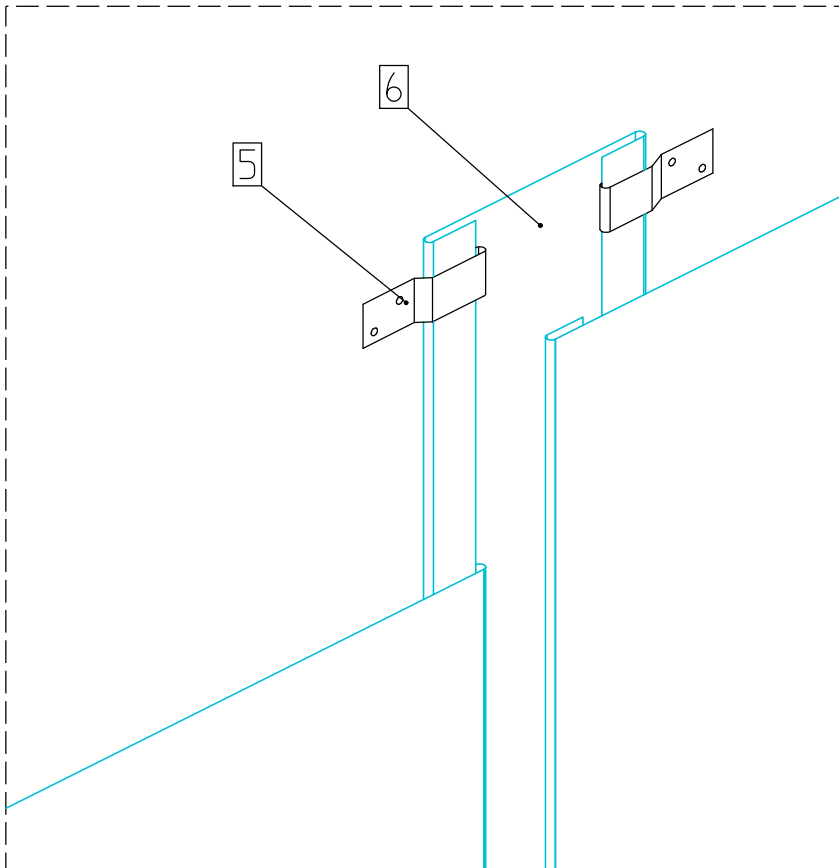
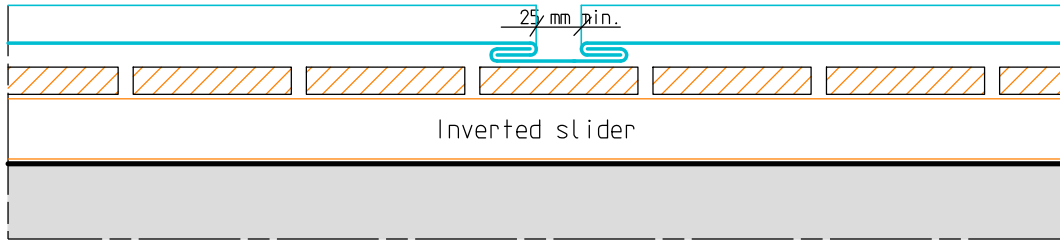
Rev. date : 19.10.09

Filename :

Unicore France s.a.s
40 rue Jean Jaurès
F-93176 BAGNOLET Cedex

Tel : (33) 1 49 72 42 42
Fax : (33) 1 49 72 42 74

This study has been achieved as a favour for the applicant, the customer remains responsible for quantities and design



VMZINC

Subject : VMZ STANDING SEAM VENTILATED CLADDING

Title : Horizontal layout - Inverted slider junction

Scale : 1/5

Rev. : 0

Drawn by:

Date : 19.10.09

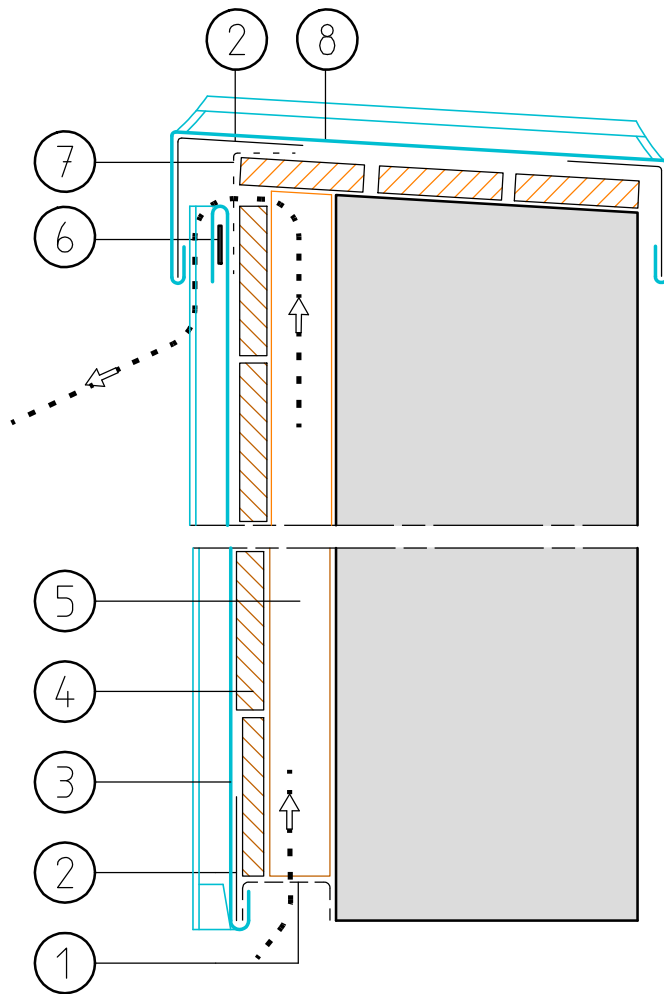
Rev. date : 19.10.09

Filename :

Unicore France s.a.s
40 rue Jean Jaurès
F-93176 BAGNOLET Cedex

Tel : (33) 1 49 72 42 42
Fax : (33) 1 49 72 42 74

This study has been achieved as a favour for the applicant, the customer remains responsible for quantities and design



LEGEND :

- 1. Perforated strip
- 2. Securing strip
- 3. VM ZINC standing seam cladding
- 4. Boarding
- 5. Rafter
- 6. Galvanized strip
- 7. Anti-insects grid
- 8. Standing seam parapet



Subject : VMZ STANDING SEAM VENTILATED CLADDING

Title : Vertical layout - Head & bottom detail

Scale : 1/5

Rev. : 0

Drawn by:

Date : 19.10.09

Rev. date : 19.10.09

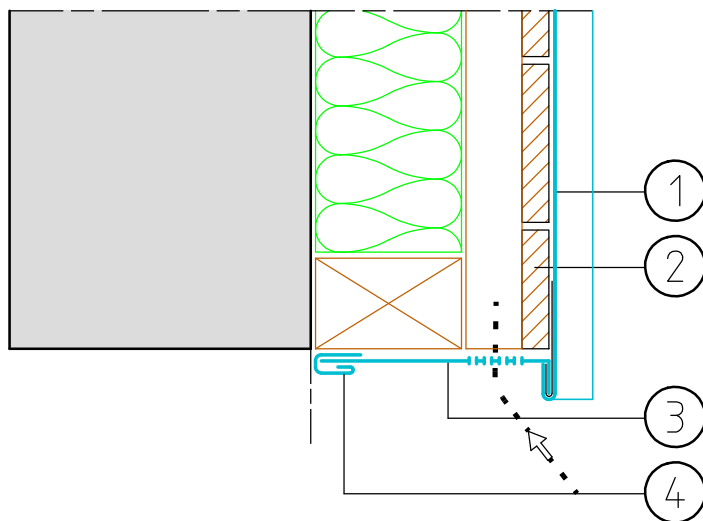
Filename :

Unicore France s.a.s
40 rue Jean Jaurès
F-93176 BAGNOLET Cedex

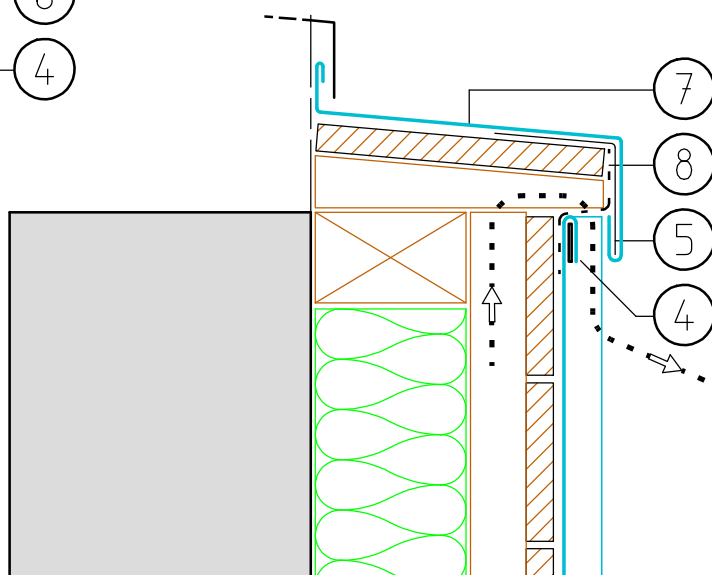
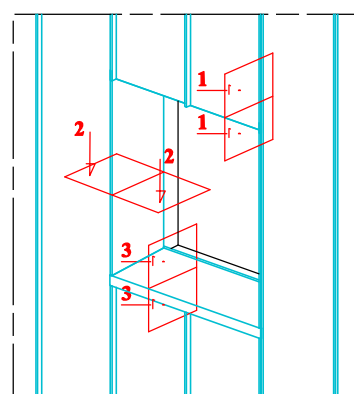
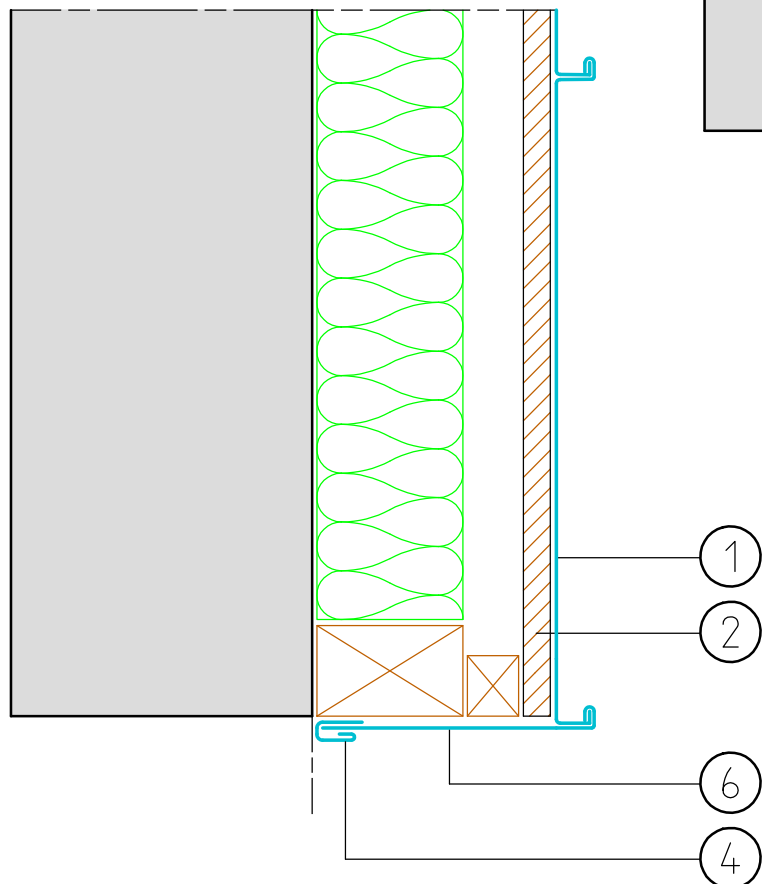
Tel : (33) 1 49 72 42 42
Fax : (33) 1 49 72 42 74

This study has been achieved as a favour for the applicant, the customer remains responsible for quantities and design

1-HEAD



2-JAMB



3-SILL

LEGEND :

1. Standing seam cladding
2. Roof boarding
3. Lintel strip
4. Folding strip
5. Securing strip
6. Jamb flashing
7. Sill flashing
8. anti-insects grid

VMZINC

Subject : VMZ STANDING SEAM VENTILATED CLADDING

Title : Vertical layout - Windows surroundings

Scale : 1/5

Rev. : 0

Drawn by:

Date : 19.10.09

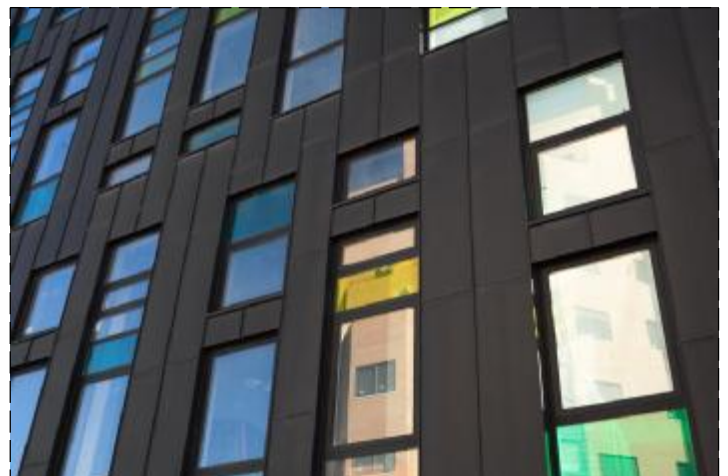
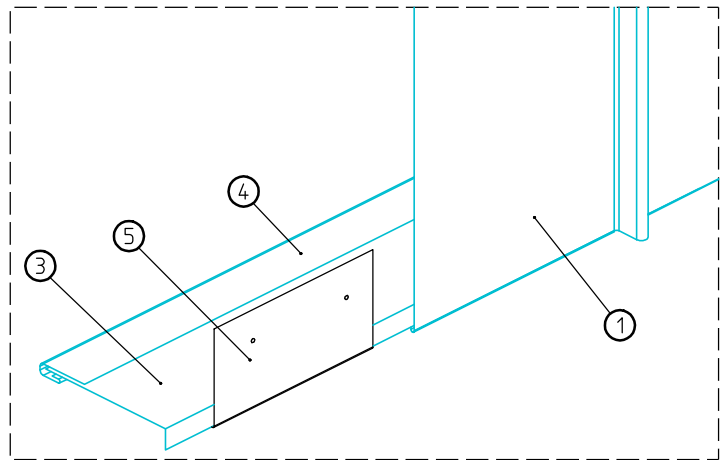
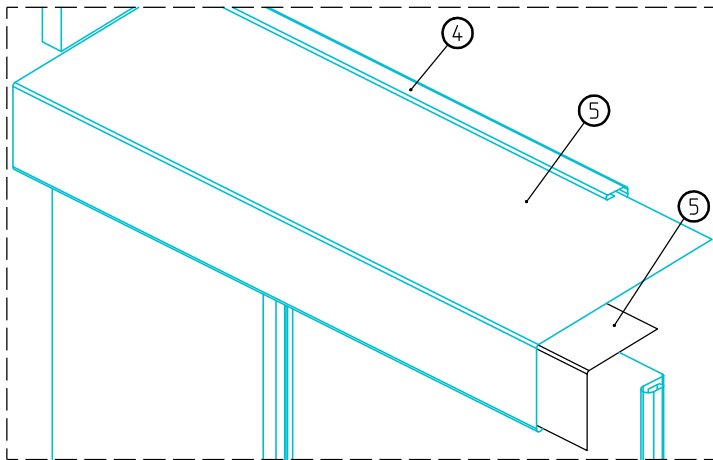
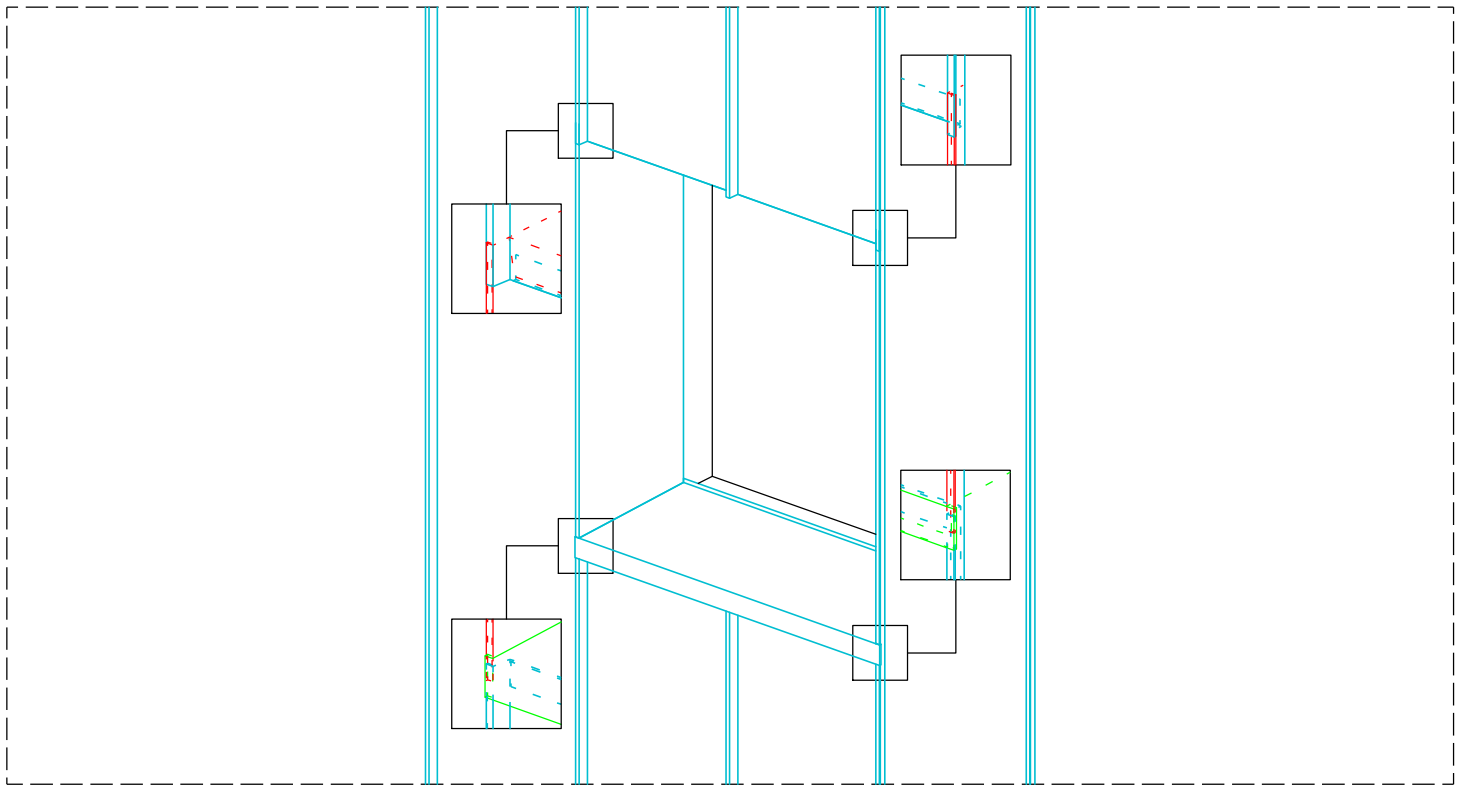
Rev. date : 19.10.09

Filename :

Unicore France s.a.s
40 rue Jean Jaurès
F-93176 BAGNOLET Cedex

Tel : (33) 1 49 72 42 42
Fax : (33) 1 49 72 42 74

This study has been achieved as a favour for the applicant, the customer remains responsible for quantities and design



Subject : VMZ STANDING SEAM VENTILATED CLADDING

Title : Vertical layout - Windows surroundings

Scale : 1/5

Rev. : 0

Drawn by:

Date : 19.10.09

Rev. date : 19.10.09

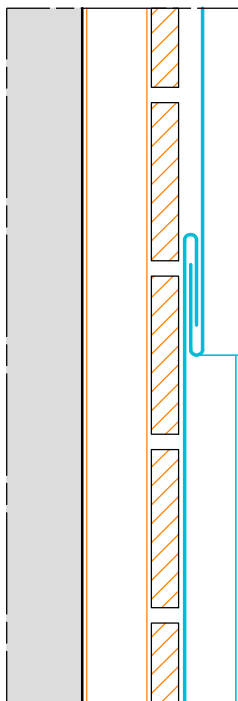
Filename :

Unicore France s.a.s
40 rue Jean Jaurès
F-93176 BAGNOLET Cedex

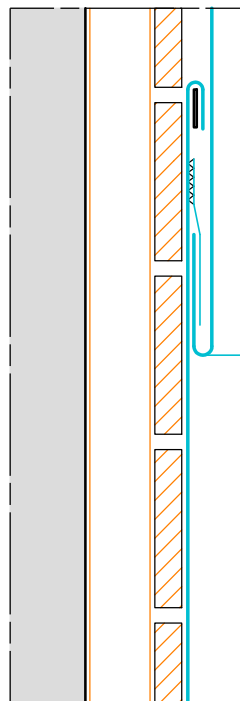
Tel : (33) 1 49 72 42 42
Fax : (33) 1 49 72 42 74

This study has been achieved as a favour for the applicant, the customer remains responsible for quantities and design

Single welt



Double welt



Subject : VMZ STANDING SEAM VENTILATED CLADDING

Title : Vertical layout - Single & double welt junction

Scale : 1/5

Rev. : 0

Drawn by:

Date : 19.10.09

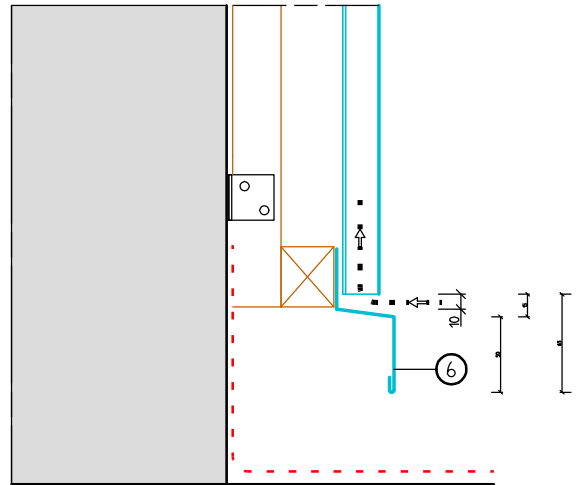
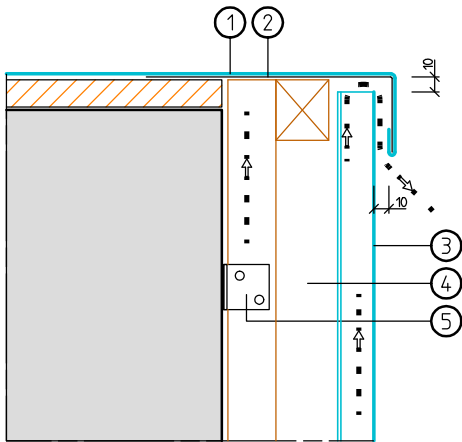
Rev. date : 19.10.09

Filename :

Unicore France s.a.s
40 rue Jean Jaurès
F-93176 BAGNOLET Cedex

Tel : (33) 1 49 72 42 42
Fax : (33) 1 49 72 42 74

This study has been achieved as a favour for the applicant, the customer remains responsible for quantities and design



LEGEND :

- 1. Parapet flashing
- 2. Securing strip
- 3. VM ZINC Interlocking panel
- 4. Wooden rafter
- 5. Galvanized steel angle
- 6. VM ZINC raindrop



Subject : VMZ INTERLOCKING PANEL VENTILATED CLADDING

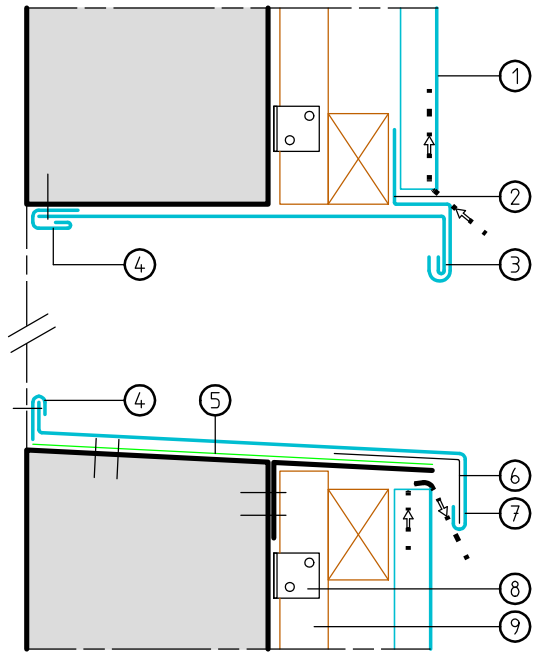
Title : Vertical layout - Head and Bottom detail

Scale : 1/5	Rev. : 0	Drawn by:
Date : 19.10.09	Rev. date : 19.10.09	Filename : VM_DET_INTERLOCKING_PARAPET-RAINDROP_V

Unicore France s.a.s
40 rue Jean Jaurès
F-93176 BAGNOLET Cedex

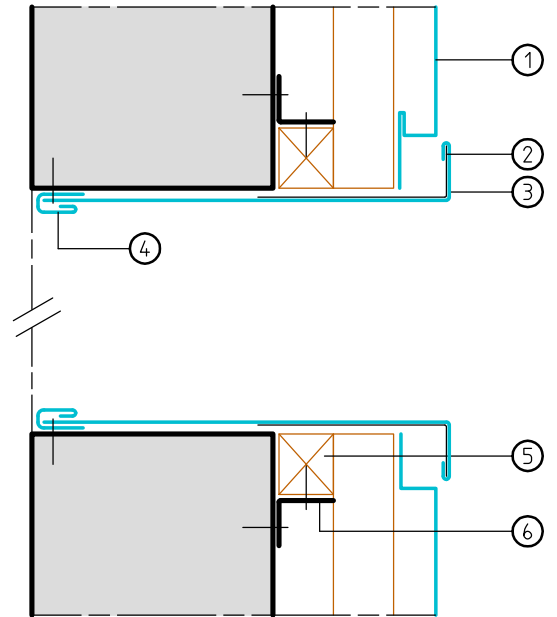
Tel : (33) 1 49 72 42 42
Fax : (33) 1 49 72 42 74

This study has been achieved as a favour for the applicant, the customer remains responsible for quantities and design



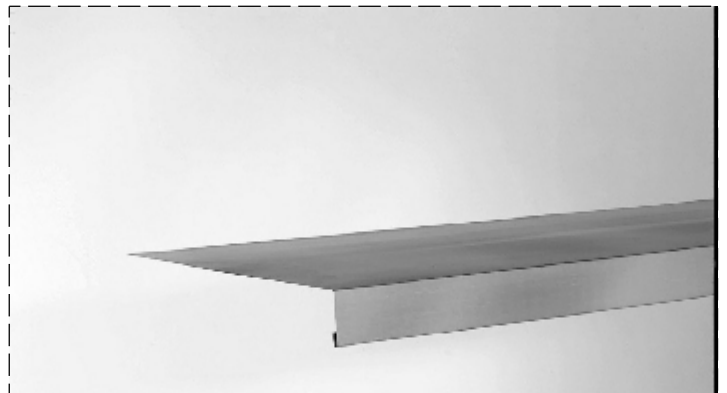
LEGEND :

- 1. VM ZINC Interlocking panel
- 2. VM ZINC flashing
- 3. Window strip
- 4. Folded flashing strip
- 5. Intermediate membrane
- 6. Securing strip
- 7. VM ZINC corner brace
- 8. Stainless steel bracket
- 9. Rafter
- 10. VM ZINC interlocking panel



LEGEND :

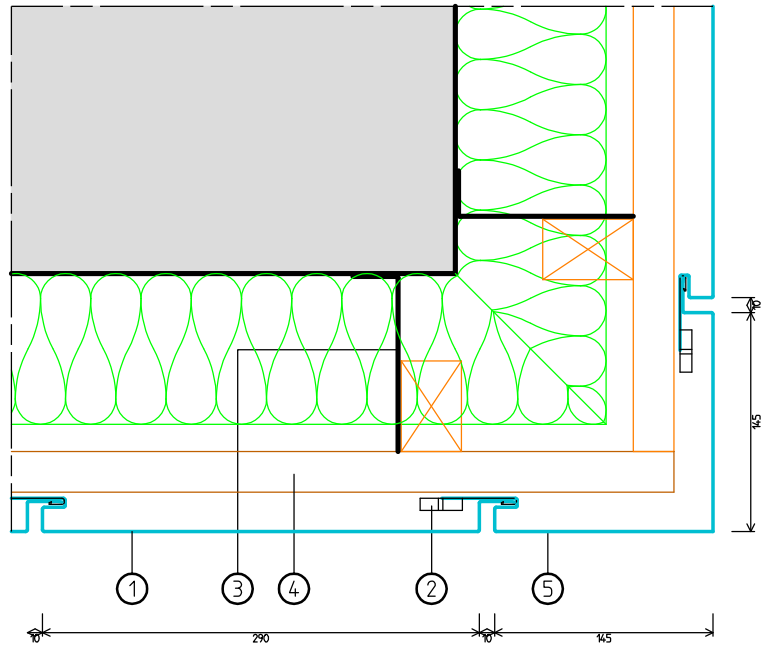
- 1. VM ZINC interlocking panel
- 2. Securing strip
- 3. VM ZINC Window flashing
- 4. Folded flashing
- 5. Wooden rafter
- 6. Galvanized bracket



Subject : VMZ INTERLOCKING PANEL VENTILATED CLADDING		
Title : Vertical layout - Windows surroundings		
Scale : 1/5	Rev. : 0	Drawn by:
Date : 19.10.09	Rev. date : 19.10.09	Filename : VM_DET_INTERLOCKING_WINDOWS_V

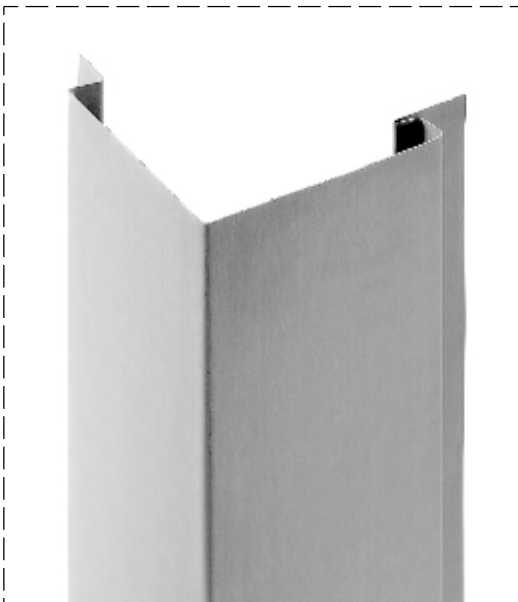
Unicore France s.a.s
 40 rue Jean Jaurès
 F-93176 BAGNOLET Cedex
 Tel : (33) 1 49 72 42 42
 Fax : (33) 1 49 72 42 74

This study has been achieved as a favour for the applicant, the customer remains responsible for quantities and design



LEGENDE :

1. VM ZINC Interlocking panel
2. Fixing clips
3. Wooden rafter
4. Galvanized steel angle
5. Vertical corner profile



Subject : VMZ INTERLOCKING PANEL VENTILATED CLADDING

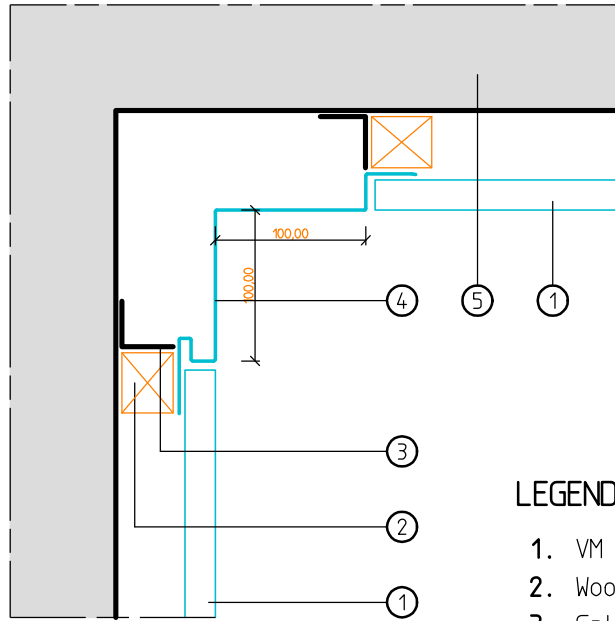
Title : Vertical layout - Exterior corner

Scale : 1/5	Rev. : 0	Drawn by:
Date : 19.10.09	Rev. date : 19.10.09	Filename : VM_DET_INTERLOCKING_EXTERIOR_CORNER_V

Unicore France s.a.s
40 rue Jean Jaurès
F-93176 BAGNOLET Cedex

Tel : (33) 1 49 72 42 42
Fax : (33) 1 49 72 42 74

This study has been achieved as a favour for the applicant, the customer remains responsible for quantities and design



LEGEND :

1. VM ZINC Interlocking panel
2. Wooden rafter
3. Galvanized steel angle
4. Recessed angle strip
5. Concrete wall



Subject : VMZ INTERLOCKING PANEL VENTILATED CLADDING

Title : Vertical layout - Interior corner

Scale : 1/5

Rev. : 0

Drawn by:

Date : 19.10.09

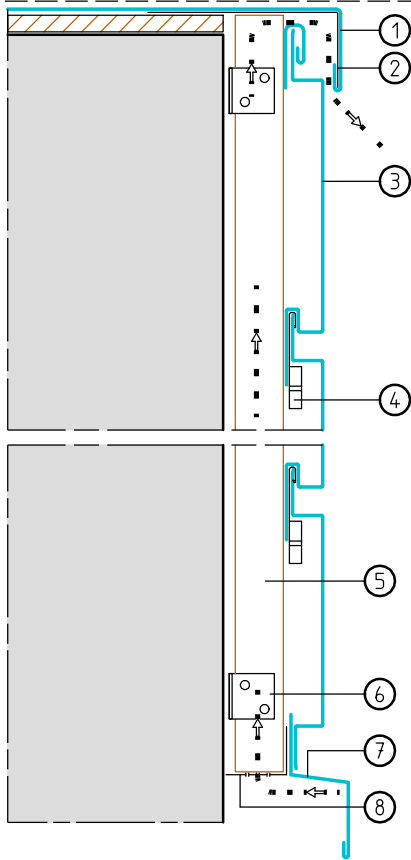
Rev. date : 19.10.09

Filename : VM_DET_INTERLOCKING_INTERIOR CORNER_V

Unicore France s.a.s
40 rue Jean Jaurès
F-93176 BAGNOLET Cedex

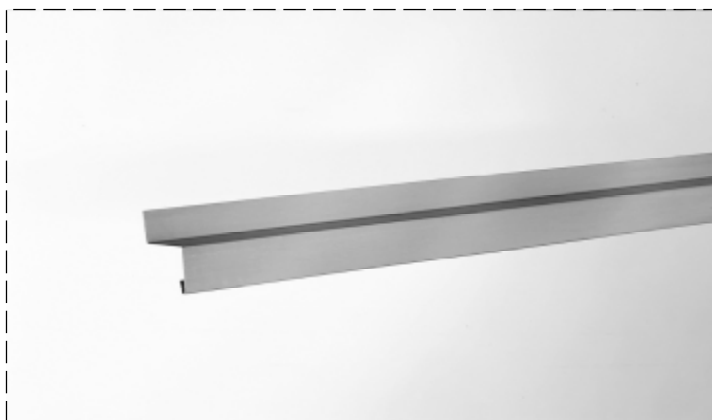
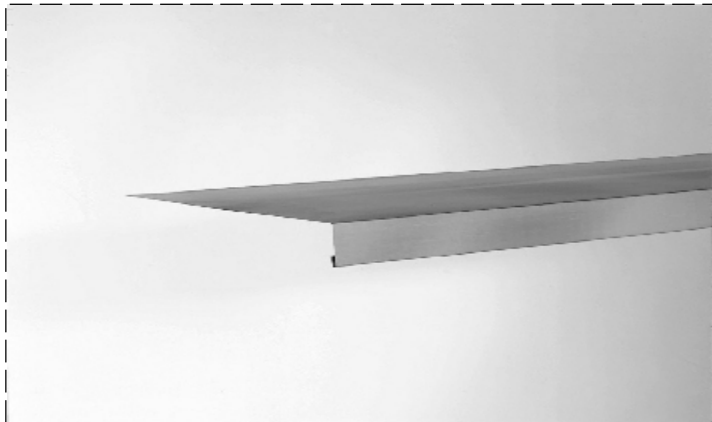
Tel : (33) 1 49 72 42 42
Fax : (33) 1 49 72 42 74

This study has been achieved as a favour for the applicant, the customer remains responsible for quantities and design



LEGEND :

- 1. Cover
- 2. Securing strip
- 3. VM ZINC Interlocking panel
- 4. Stainless steel fixing clip
- 5. Rafter
- 6. Elbow bracket
- 7. Drip
- 8. Perforated corner piece



Subject : VMZ INTERLOCKING PANEL VENTILATED CLADDING

Title : Horizontal layout - Head & bottom

Scale : 1/5

Rev. : 0

Drawn by:

Date : 19.10.09

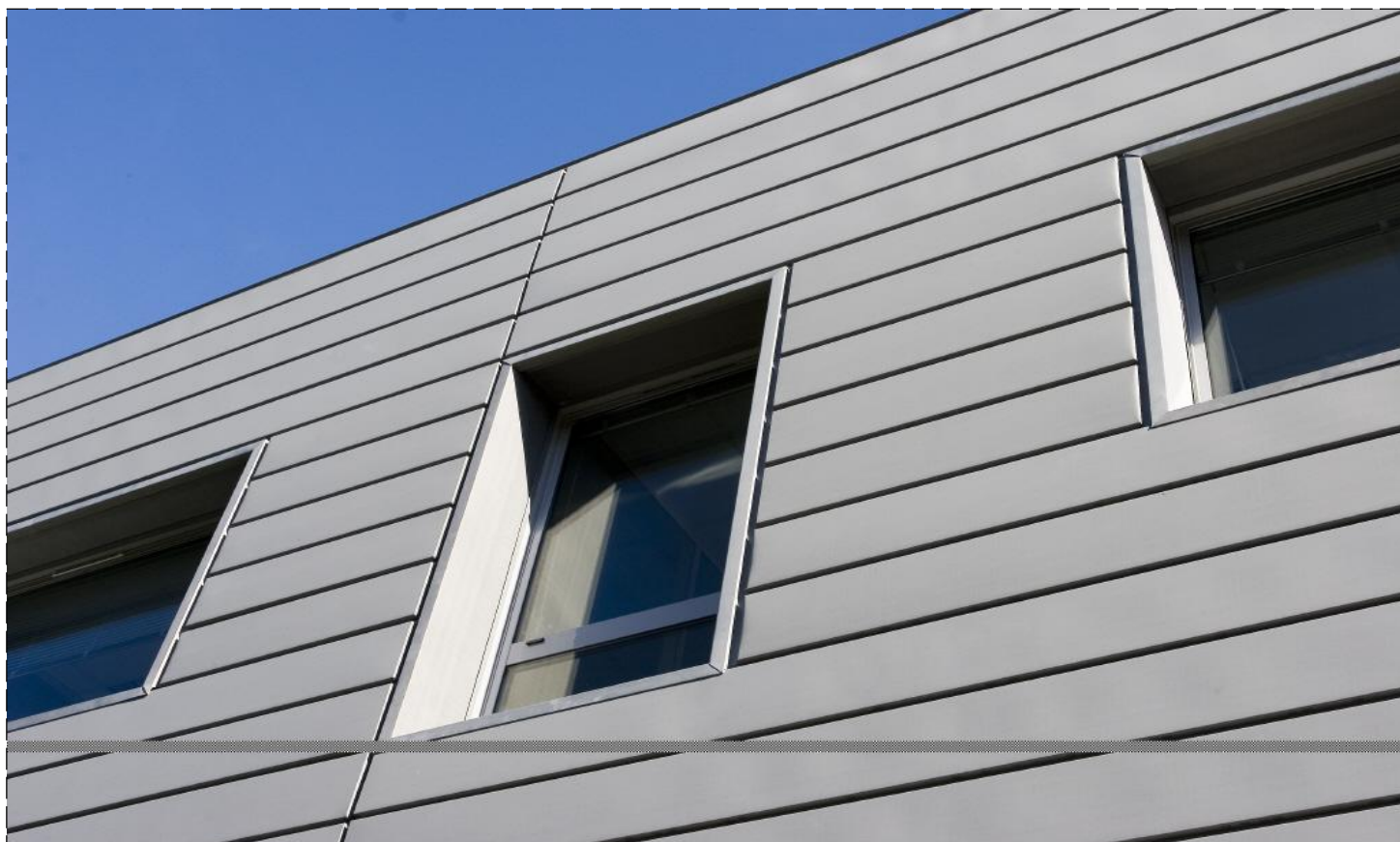
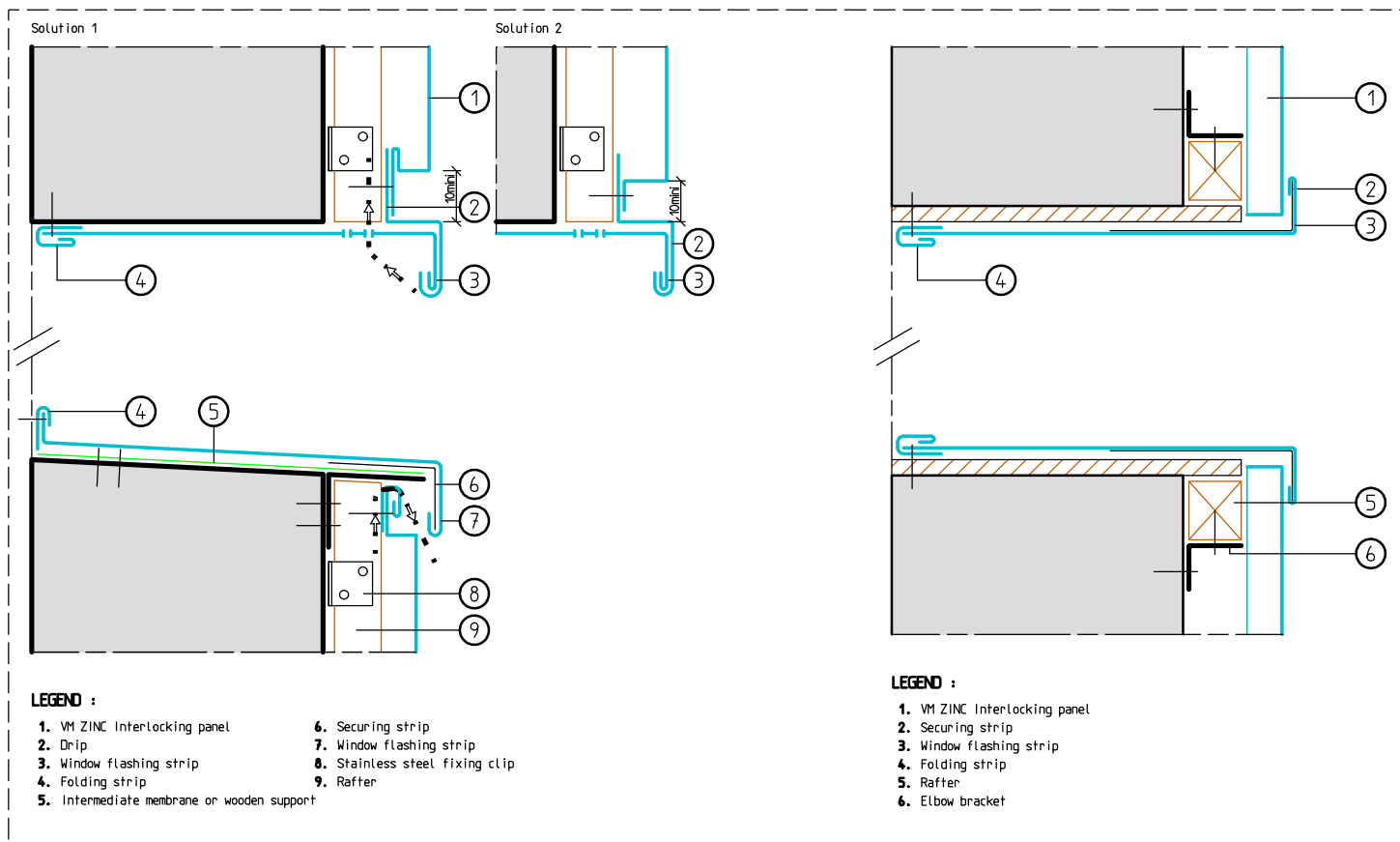
Rev. date : 19.10.09

Filename :

Unicore France s.a.s
40 rue Jean Jaurès
F-93176 BAGNOLET Cedex

Tel : (33) 1 49 72 42 42
Fax : (33) 1 49 72 42 74

This study has been achieved as a favour for the applicant, the customer remains responsible for quantities and design



Subject : VMZ INTERLOCKING PANEL VENTILATED CLADDING

Title : Horizontal layout - Windows surroundings

Scale : 1/5

Rev. : 0

Drawn by:

Date : 19.10.09

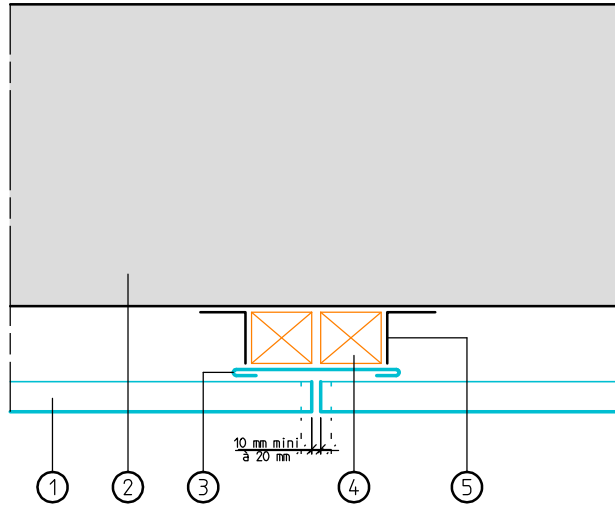
Rev. date : 19.10.09

Filename :

Unicore France s.a.s
40 rue Jean Jaurès
F-93176 BAGNOLET Cedex

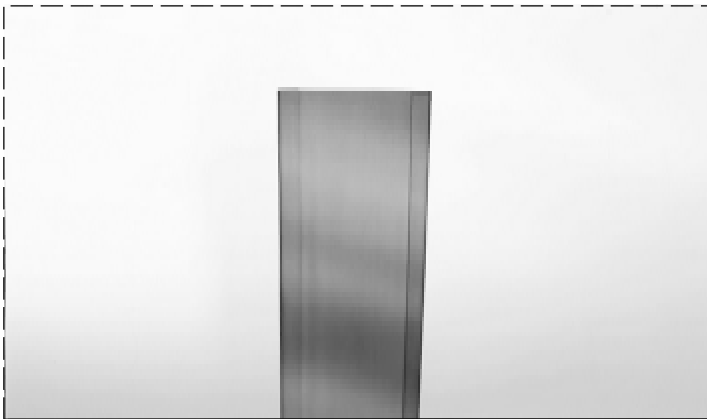
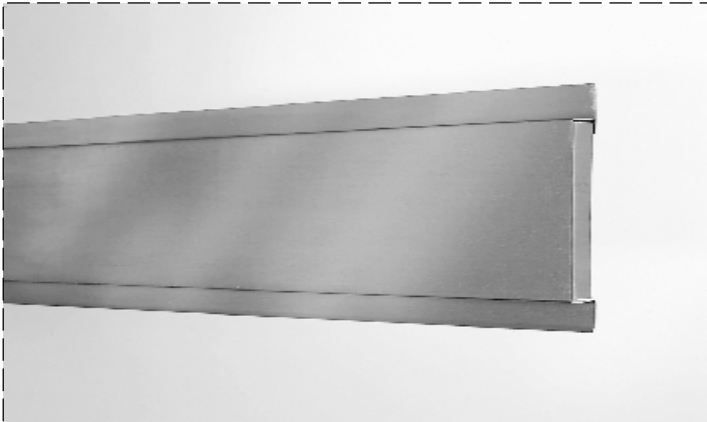
Tel : (33) 1 49 72 42 42
Fax : (33) 1 49 72 42 74

This study has been achieved as a favour for the applicant, the customer remains responsible for quantities and design



LEGENDE :

1. VM ZINC Interlocking panel
2. Masonry
3. Flat inverted slider
4. Rafter
5. Elbow bracket



Subject : VMZ INTERLOCKING PANEL VENTILATED CLADDING

Title : Horizontal layout - Vertical junction

Scale : 1/5

Rev. : 0

Drawn by:

Date : 19.10.09

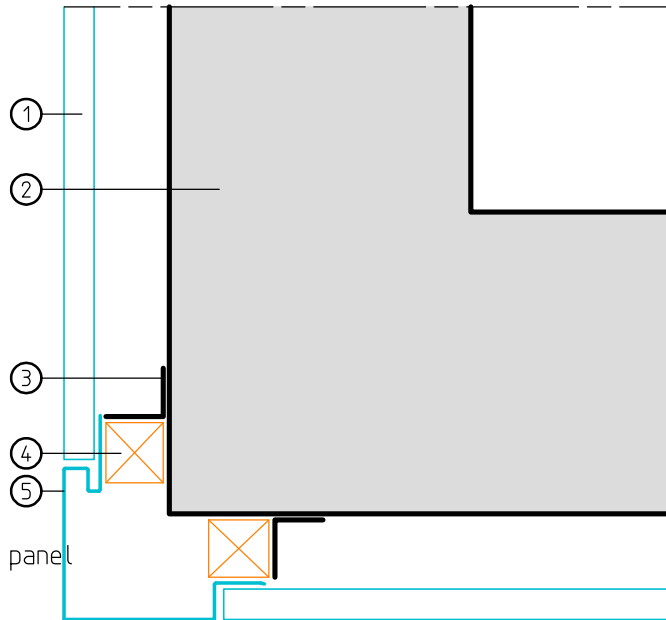
Rev. date : 19.10.09

Filename :

Unicore France s.a.s
40 rue Jean Jaurès
F-93176 BAGNOLET Cedex

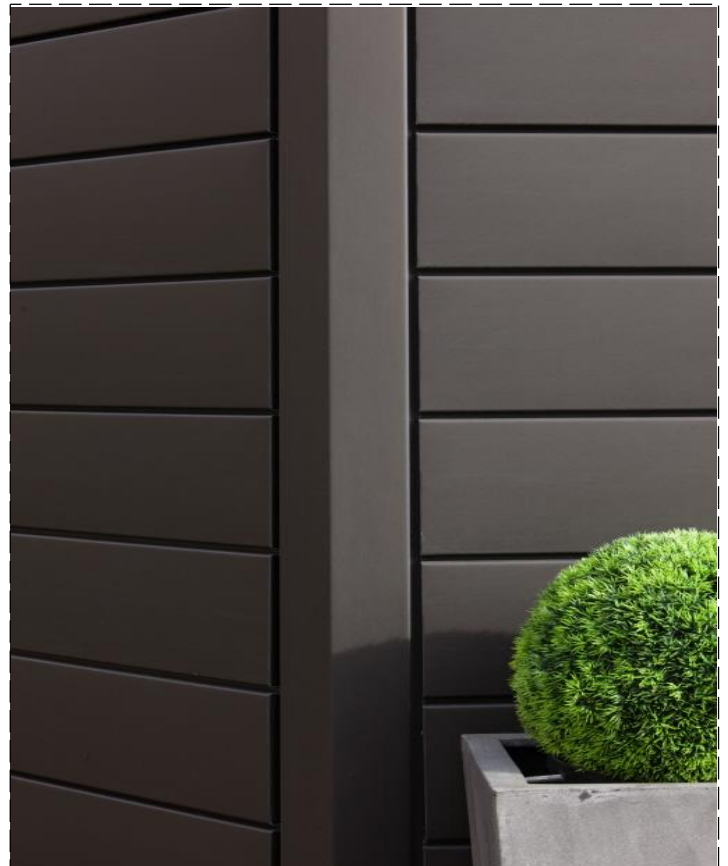
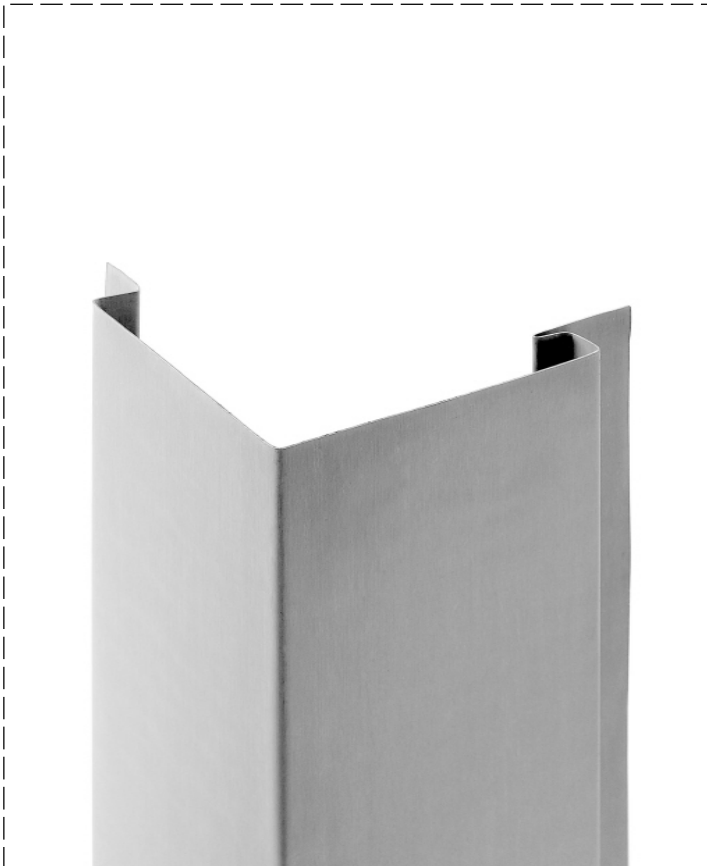
Tel : (33) 1 49 72 42 42
Fax : (33) 1 49 72 42 74

This study has been achieved as a favour for the applicant, the customer remains responsible for quantities and design



LEGEND :

- 1. VM ZINC Interlocking panel
- 2. Masonry
- 3. Elbow bracket
- 4. Rafter
- 5. VM ZINC exterior corner



Subject : VMZ INTERLOCKING PANEL VENTILATED CLADDING

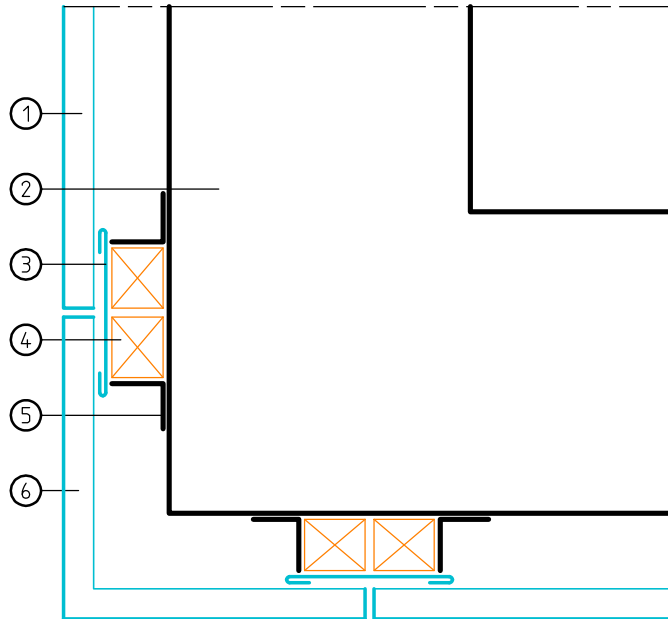
Title : Horizontal layout - Exterior corner

Scale : 1/5	Rev. : 0	Drawn by:
Date : 19.10.09	Rev. date : 19.10.09	Filename :

Unicore France s.a.s
40 rue Jean Jaurès
F-93176 BAGNOLET Cedex

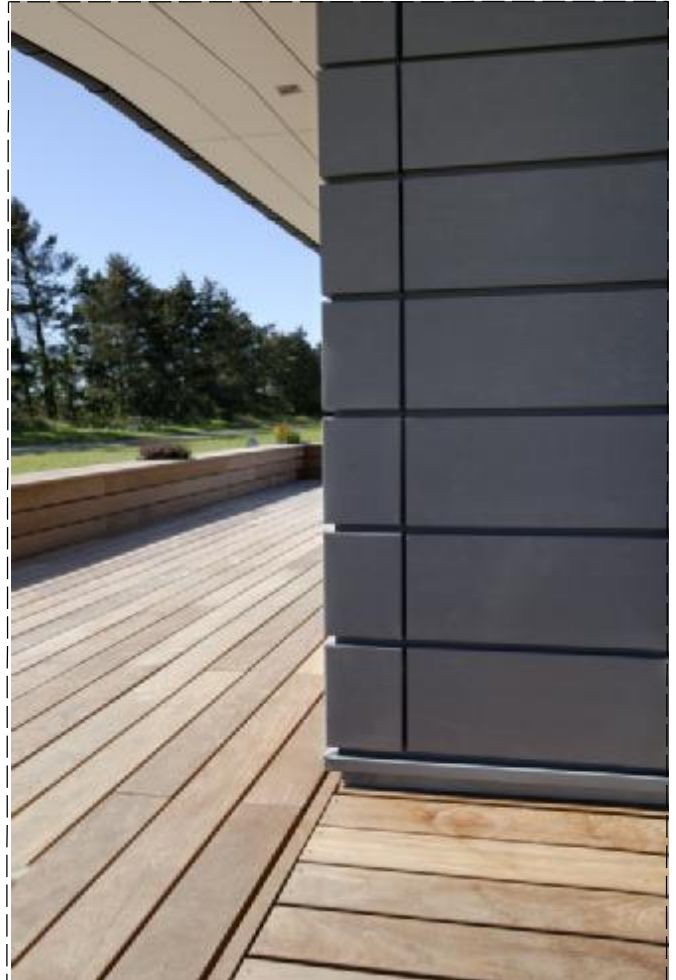
Tel : (33) 1 49 72 42 42
Fax : (33) 1 49 72 42 74

This study has been achieved as a favour for the applicant, the customer remains responsible for quantities and design



LEGEND :

- 1. VM ZINC Interlocking panel
- 2. Masonry
- 3. Flat inverted slider
- 4. Rafter
- 5. Elbow bracket
- 6. VM ZINC exterior horizontal corner



Subject : VMZ INTERLOCKING PANEL VENTILATED CLADDING

Title : Horizontal layout - Exterior corner

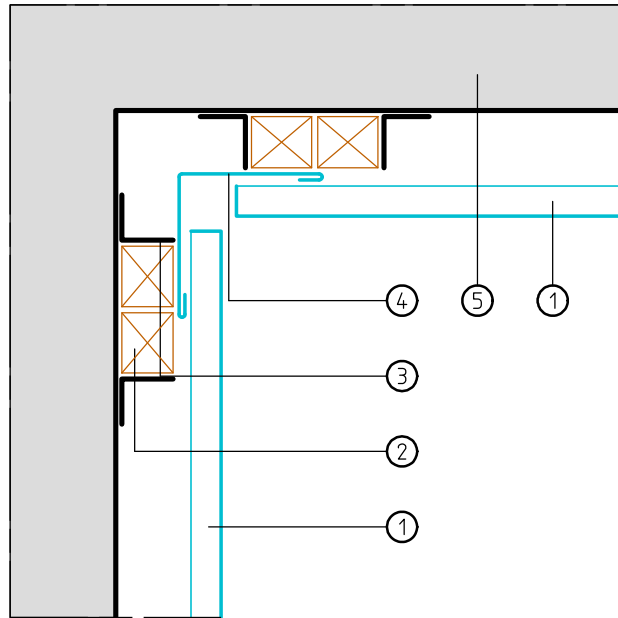
Scale : 1/5 **Rev. :** 0 **Drawn by:**

Date : 19.10.09 **Rev. date :** 19.10.09 **Filename :**

Unicore France s.a.s
40 rue Jean Jaurès
F-93176 BAGNOLET Cedex

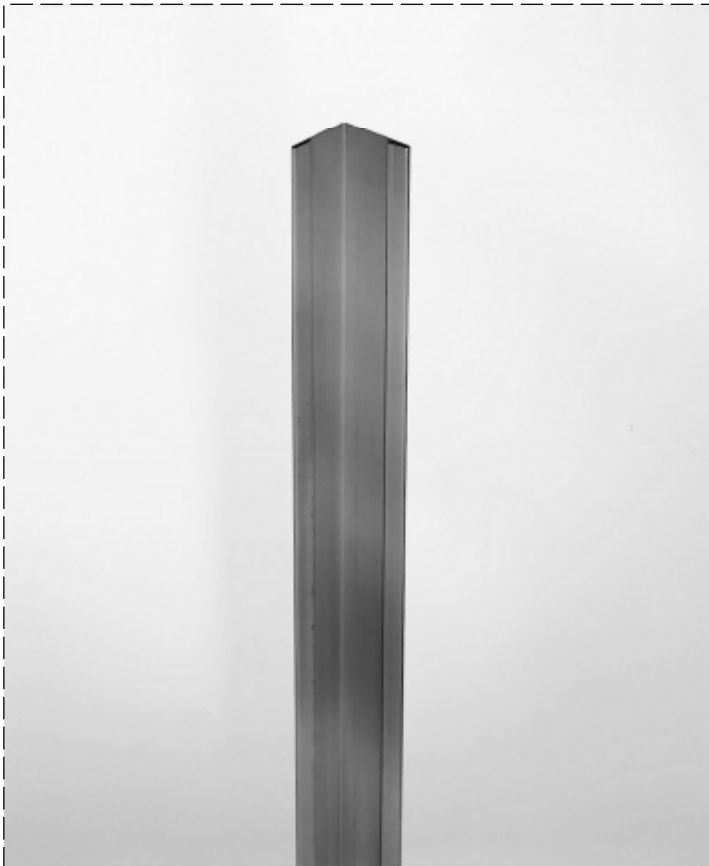
Tel : (33) 1 49 72 42 42
Fax : (33) 1 49 72 42 74

This study has been achieved as a favour for the applicant, the customer remains responsible for quantities and design



LEGEND :

- 1. VM ZINC Interlocking panel
- 2. Rafter
- 3. Elbow bracket
- 4. Interior corner
- 5. Masonry



Subject : VMZ INTERLOCKING PANEL VENTILATED CLADDING

Title : Horizontal layout - Interior corner

Scale : 1/5

Rev. : 0

Drawn by:

Date : 19.10.09

Rev. date : 19.10.09

Filename :

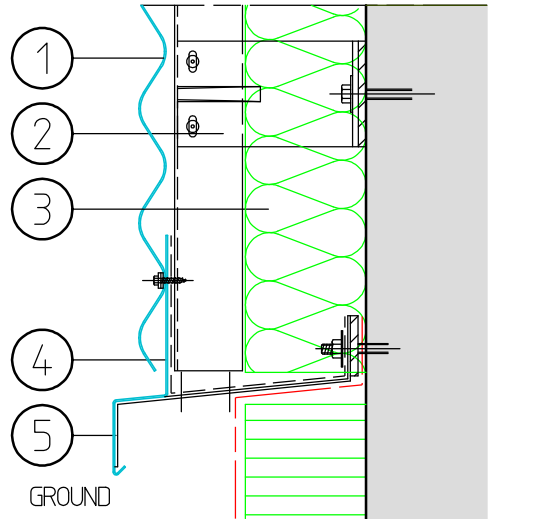
Unicore France s.a.s
40 rue Jean Jaurès
F-93176 BAGNOLET Cedex

Tel : (33) 1 49 72 42 42
Fax : (33) 1 49 72 42 74

This study has been achieved as a favour for the applicant, the customer remains responsible for quantities and design

LEGEND :

1. VM ZINC Sinus cladding - Wave 18/76
2. Cladding rail
3. Insulation
4. Transverse joint
5. galvanized flashing



Subject : VMZ SINUS VENTILATED CLADDING

Title : RAINDROP

Scale : 1/5

Rev. : 0

Drawn by:

Date : 19.10.09

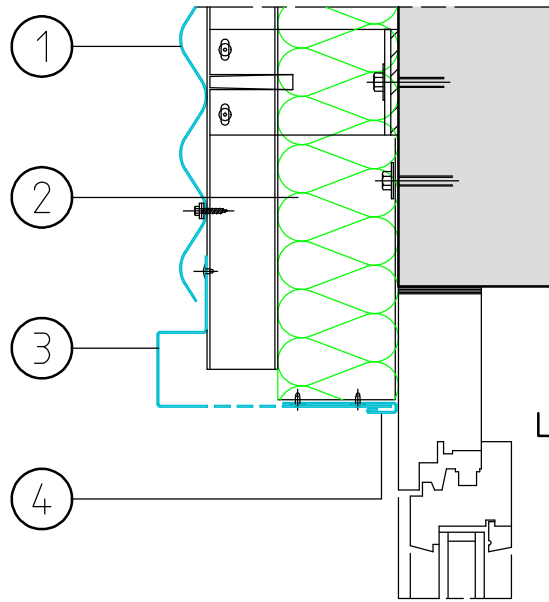
Rev. date : 19.10.09

Filename : VM_DET_SINUS_BOTTOM

Unicore France s.a.s
40 rue Jean Jaurès
F-93176 BAGNOLET Cedex

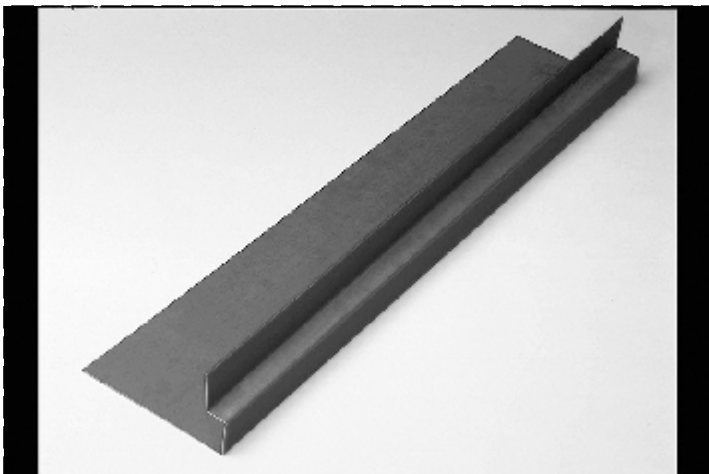
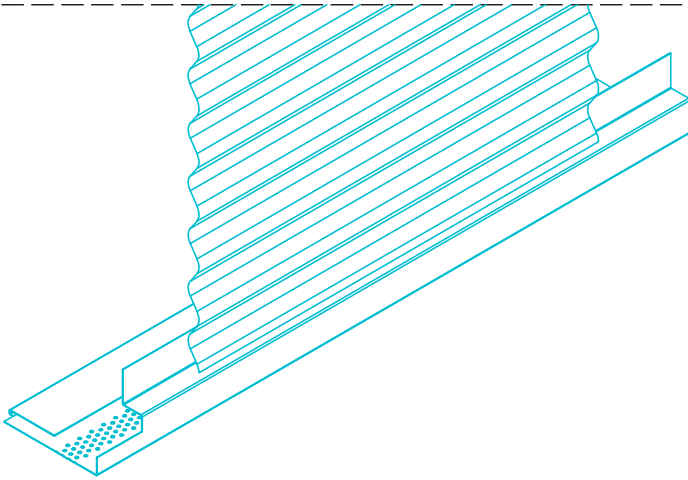
Tel : (33) 1 49 72 42 42
Fax : (33) 1 49 72 42 74

This study has been achieved as a favour for the applicant, the customer remains responsible for quantities and design



LEGEND :

- 1. VM ZINC Sinus cladding - Wave 18/76
- 2. Insulation
- 3. Head jamb - VM ZINC raindrop
- 4. Folding strip



VMZINC

Subject : VMZ SINUS VENTILATED CLADDING

Title : WINDOWS SURROUNDINGS - HEAD JAMB DETAIL

Scale : 1/5

Rev. : 0

Drawn by:

Date : 19.10.09

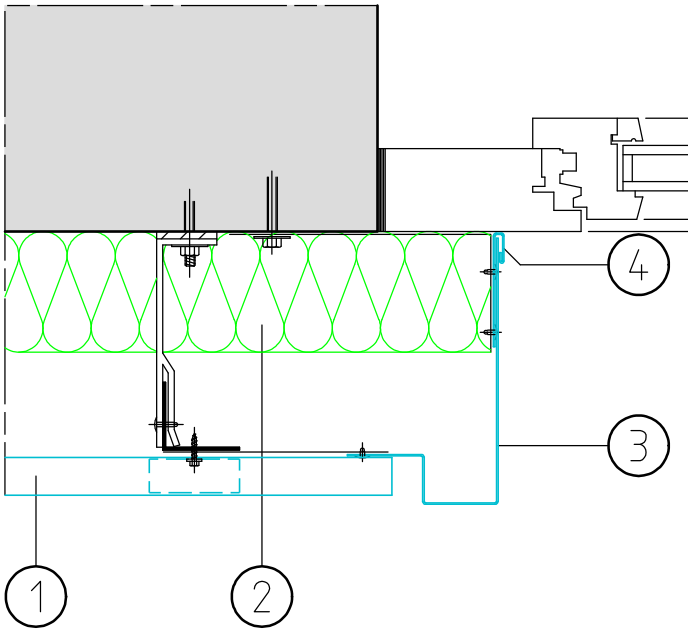
Rev. date : 19.10.09

Filename : VM_DET_SINUS_WINDOW HEAD JAMB

Unicore France s.a.s
40 rue Jean Jaurès
F-93176 BAGNOLET Cedex

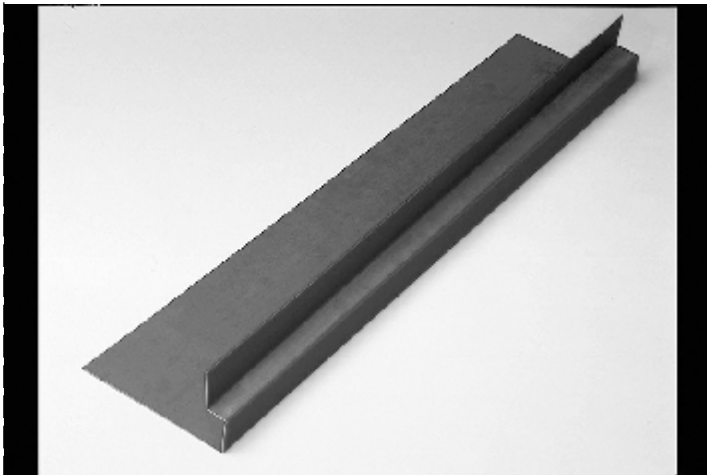
Tel : (33) 1 49 72 42 42
Fax : (33) 1 49 72 42 74

This study has been achieved as a favour for the applicant, the customer remains responsible for quantities and design



LEGEND :

- 1. VM ZINC Sinus cladding - Wave 18/76
- 2. Insulation
- 3. Jamb - VM ZINC bottom accessory
- 4. Folding strip



Subject : VMZ SINUS VENTILATED CLADDING

Title : WINDOWS SURROUNDINGS - JAMB DETAIL

Scale : 1/5

Rev. : 0

Drawn by:

Date : 19.10.09

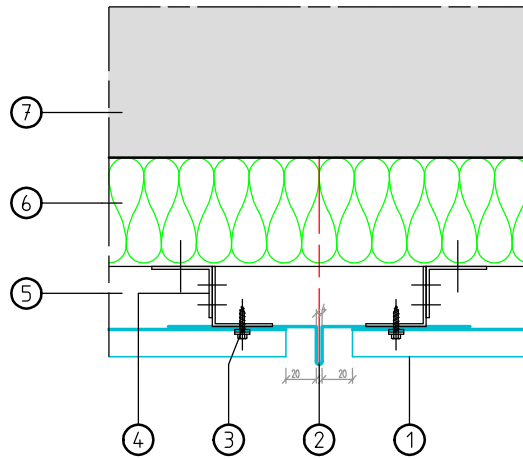
Rev. date : 19.10.09

Filename : VM_DET_SINUS_WINDOW

Unicore France s.a.s
40 rue Jean Jaurès
F-93176 BAGNOLET Cedex

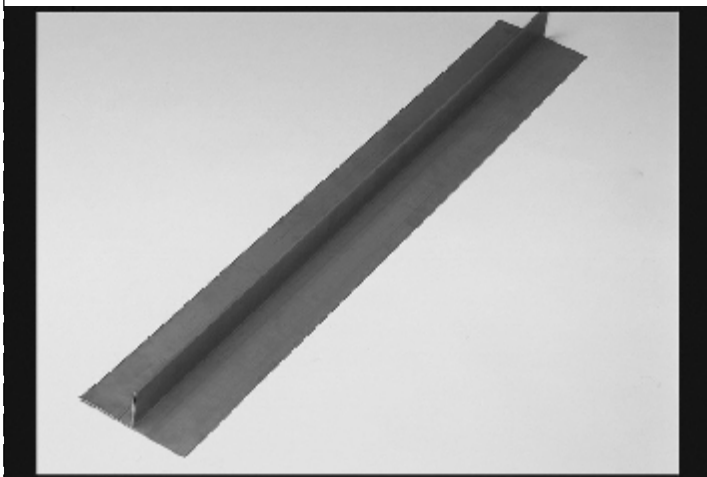
Tel : (33) 1 49 72 42 42
Fax : (33) 1 49 72 42 74

This study has been achieved as a favour for the applicant, the customer remains responsible for quantities and design



LEGEND :

1. VM ZINC Sinus cladding - Wave 18/76
2. VM ZINC vertical junction profile
3. Lacquered fixing screw
4. Cladding rail
5. 20 mm min. air gap
6. Insulation
7. Masonry



Subject : VMZ SINUS VENTILATED CLADDING

Title : VERTICAL JUNCTION

Scale : 1/5

Rev. : 0

Drawn by:

Date : 19.10.09

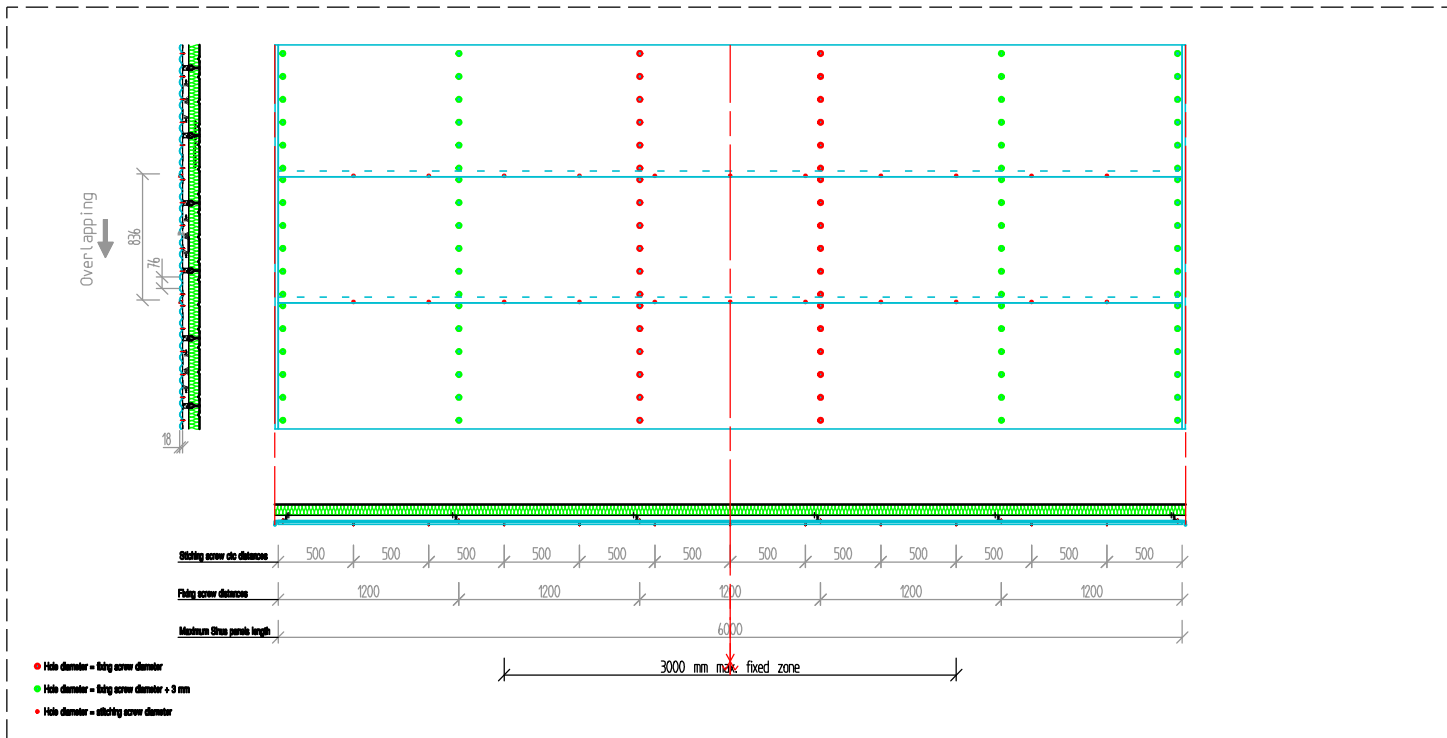
Rev. date : 19.10.09

Filename : VM_DET_SINUS_VERTICAL_JUNCTION

Unicore France s.a.s
40 rue Jean Jaurès
F-93176 BAGNOLET Cedex

Tel : (33) 1 49 72 42 42
Fax : (33) 1 49 72 42 74

This study has been achieved as a favour for the applicant, the customer remains responsible for quantities and design



Subject : VMZ SINUS VENTILATED CLADDING

Title : 18/76 SINUS WAVE CLADDING FIXATION

Scale : 1/50

Rev. : 0

Drawn by:

Date : 19.10.09

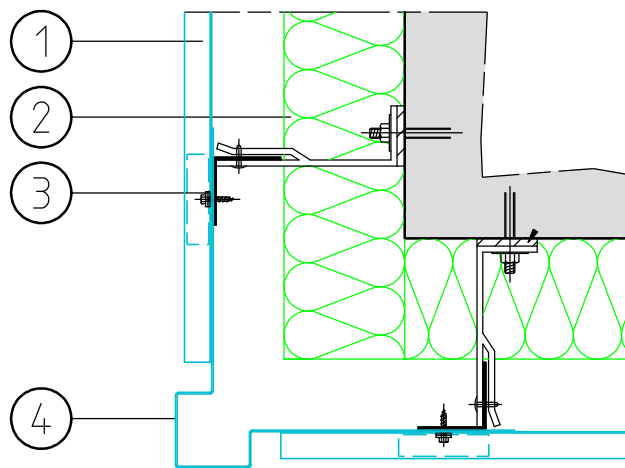
Rev. date : 19.10.09

Filename : VM_DET_SINUS_FIXATIONS

Unicore France s.a.s
40 rue Jean Jaurès
F-93176 BAGNOLET Cedex

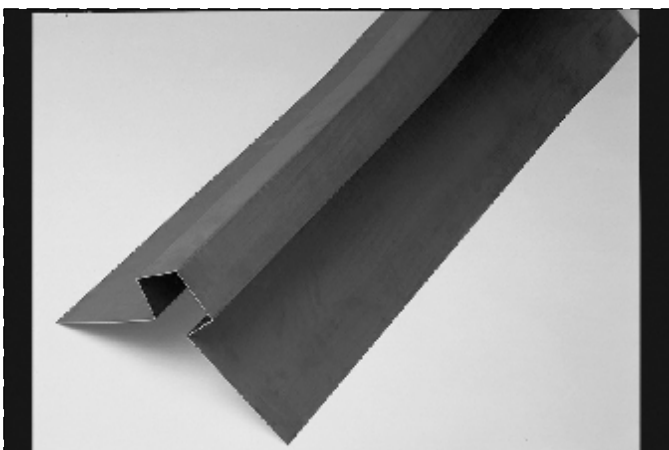
Tel : (33) 1 49 72 42 42
Fax : (33) 1 49 72 42 74

This study has been achieved as a favour for the applicant, the customer remains responsible for quantities and design



LEGEND :

- 1. VM ZINC Sinus cladding - Wave 18/76
- 2. Insulation
- 3. Cladding rail
- 4. VM ZINC Exterior corner



Subject : VMZ SINUS VENTILATED CLADDING

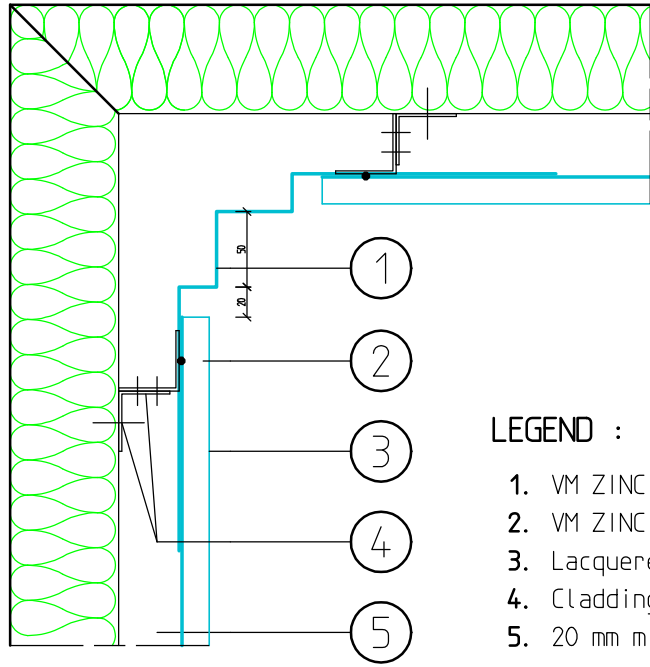
Title : EXTERIOR CORNER

Scale : 1/5	Rev. : 0	Drawn by:
Date : 19.10.09	Rev. date : 19.10.09	Filename : VM_DET_SINUS_EXTERIOR CORNER

Unicore France s.a.s
40 rue Jean Jaurès
F-93176 BAGNOLET Cedex

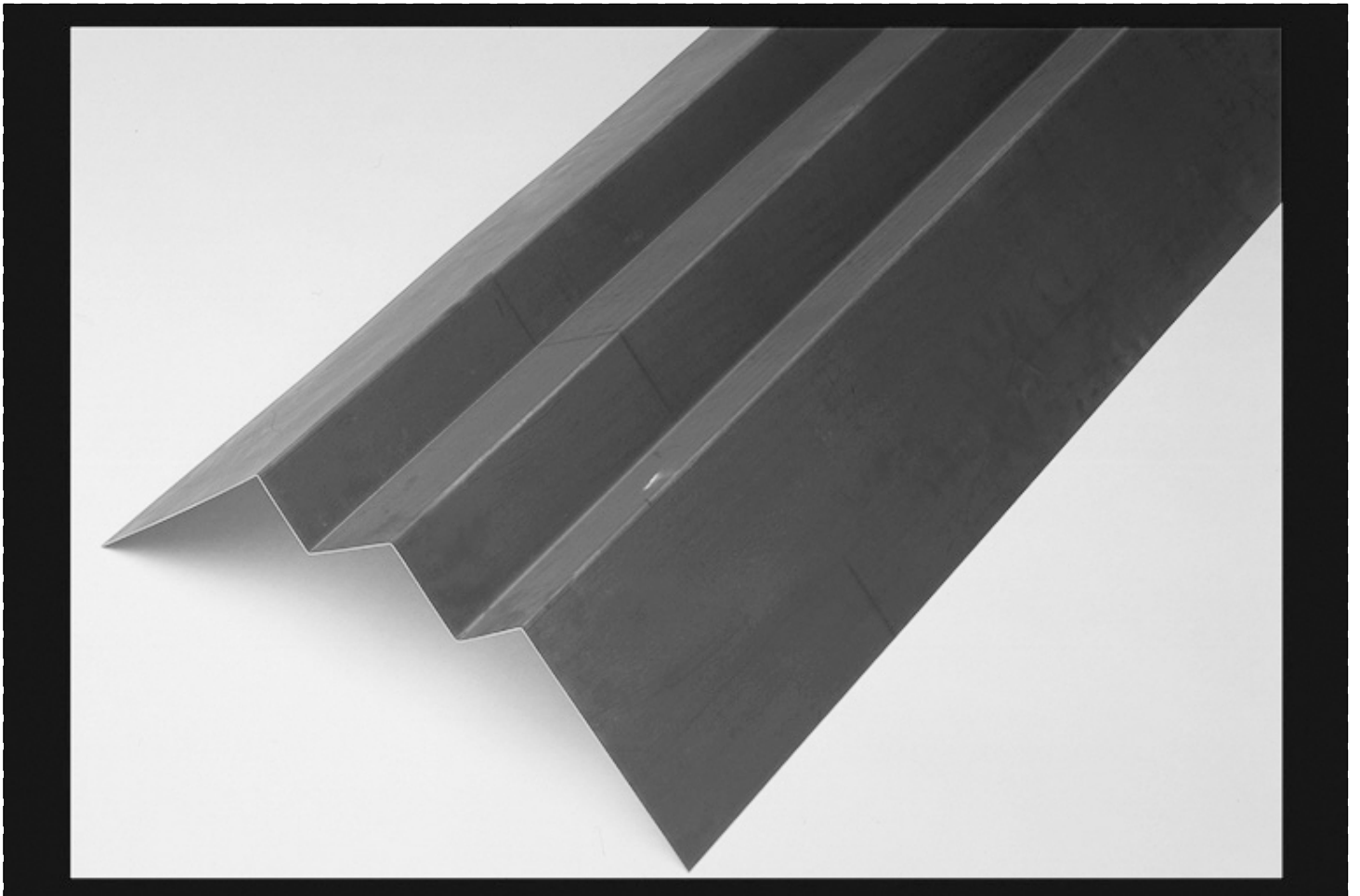
Tel : (33) 1 49 72 42 42
Fax : (33) 1 49 72 42 74

This study has been achieved as a favour for the applicant, the customer remains responsible for quantities and design



LEGEND :

- 1. VM ZINC interior corner
- 2. VM ZINC Sinus cladding - Wave 18/76
- 3. Lacquered fixing screw
- 4. Cladding rail
- 5. 20 mm min. air gap



Unicore France s.a.s
40 rue Jean Jaurès
F-93176 BAGNOLET Cedex

Tel : (33) 1 49 72 42 42
Fax : (33) 1 49 72 42 74

Subject : VMZ SINUS VENTILATED CLADDING

Title : INTERIOR CORNER

Scale : 1/5

Rev. : 0

Drawn by:

Date : 19.10.09

Rev. date : 19.10.09

Filename : VM_DET_SINUS_INTERIOR CORNER

This study has been achieved as a favour for the applicant, the customer remains responsible for quantities and design